



# Technical specification

---

Submersible pump D 3045, 50 Hz



Flygt







# D 3045

## Product

Submersible pump for pumping waste water and sludge. It can also be used for pumping ground water and other liquids containing solids.

## Denomination

Product code	3045.180
Installation	F, P, S
Impeller characteristic	MT, HT

## Process data

Liquid temperature	max +40 °C
Depth of immersion	max 20 m
The pH of the pumped liquid	pH 6-11
Liquid density	max. 1100 kg/m <sup>3</sup>

## Motor data

Frequency	50 Hz
Insulation class	F (+155 °C)
Voltage variation	
- continuously running	max ± 5%
- intermittent running	max ± 10%
Voltage imbalance between phases	max 2%
No. of starts/hour	max 15

## Cable

### Direct-on-line start

SUBCAB®	4G2,5 mm <sup>2</sup>
	4G2,5+2x1,5 mm <sup>2</sup>

### Y/D start

SUBCAB®	7G2,5 mm <sup>2</sup>
---------	-----------------------

## Material

Vortex impeller	Polyamide
Pump housing	Cast iron
Stator housing	Cast iron
Shaft	Stainless steel
O-rings	Nitrile rubber

## Mechanical face seals

Alternative	Inner seal	Outer seal
1	Carbon/ Aluminium oxide	Silicon carbide/ Silicon carbide

## Surface Treatment

All cast parts are coated with a primer. The finish coat is a synthetic varnish.

## Weight

See dimensional drawing.

## Option

3045.090	Ex. proof design
Warm liquid version on request	
Other cables	
Zinc anodes	

## Accessories

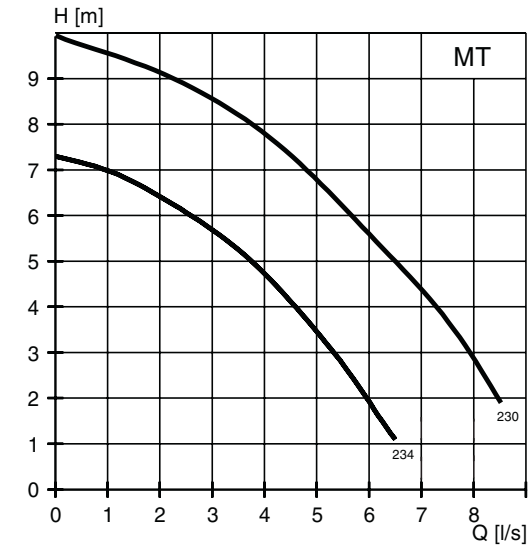
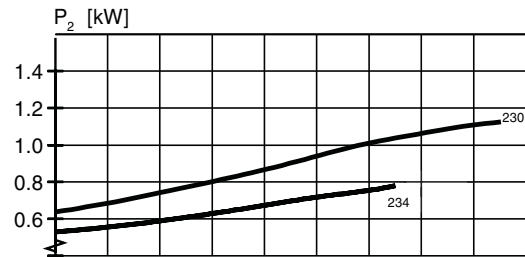
Discharge connections, adapters, hose connections and other mechanical accessories.

Electrical accessories such as pump controller, control panels, starters, monitoring relays, cables.

See separate booklet or [www.flygt.com](http://www.flygt.com). for further information

### MT-Motor rating and performance curve

Curve/Impeller No	Rated power, kW	Rated current, A	Starting current, A	Power factor cos φ	Impeller thoughtlet, mm	Ex proof version available	Installation		
							F	P	S
<b>400 V, 50 Hz, 3 ~, 2870 r/min</b>									
234	0,8	2,0	14,0	0,74	48		•	•	•
<b>400 V, 50 Hz, 3 ~, 2790 r/min</b>									
230	1,2	2,6	14,0	0,84	48	•	•	•	•
234	1,2	2,6	14,0	0,84	48	•	•	•	•
<b>230 V, 50 Hz, 1 ~, 2750 r/min</b>									
234	0,75	4,2	15,0	0,99	48		•	•	•

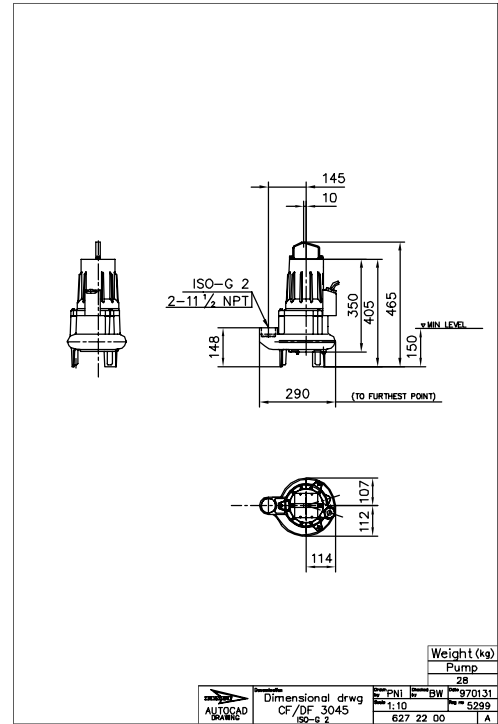


### Dimensional drawing

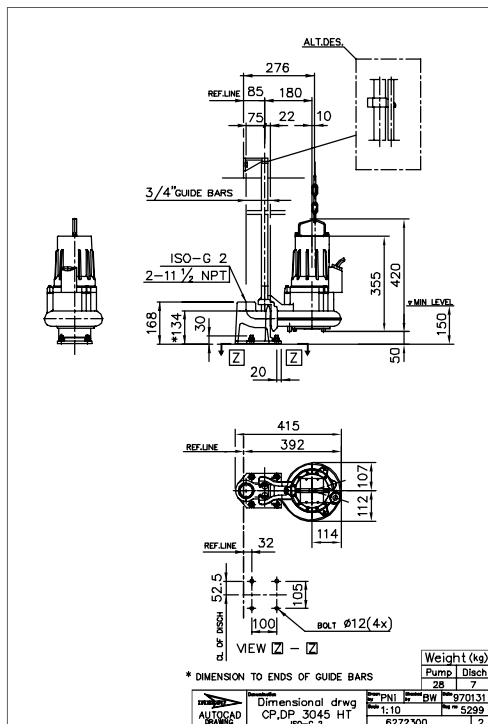
All drawings are available as Acrobat documents (.pdf) and AutoCad drawings (.dwg). Download the drawings from [www.flygt.com](http://www.flygt.com). or contact your ITT Flygt representative for more information.

All dimensions are in mm.

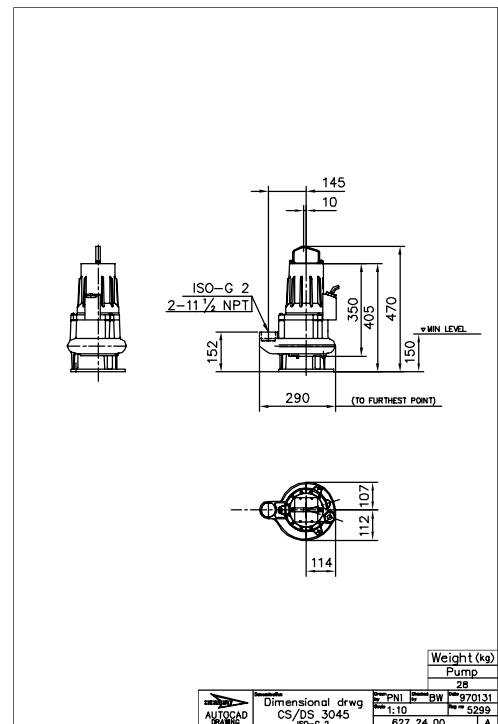
### MT, F-installation



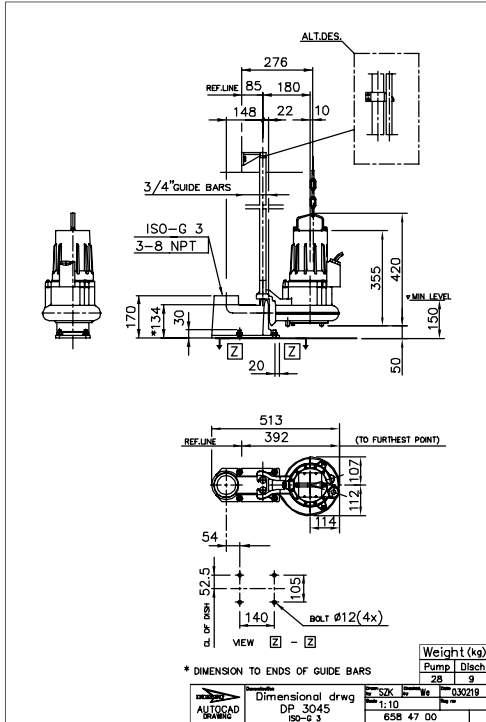
### HT, P-installation



### HT, S-installation



## MT, P-installation







[www.flygt.com](http://www.flygt.com)