



# Technical specification

---

Submersible pump D 3057, 50 Hz



Flygt







# D 3057

## Product

Submersible pump for pumping waste water and sludge. It can also be used for pumping ground water and other liquids containing solids. A special version, ARV (Abrasion Resistant Version), is available for pumping media containing light or medium concentrations of abrasive solids.

## Denomination

Product code 3057.181  
 Installation F, H, P, S  
 Impeller characteristic HT

## Process data

Liquid temperature max +40 °C  
 Depth of immersion max 20 m  
 The pH of the pumped liquid pH 6-11  
 Liquid density max. 1100 kg/m<sup>3</sup>

## Motor data

Frequency 50 Hz  
 Insulation class F (+155 °C)  
 Voltage variation  
 - continuously running max ± 5%  
 - intermittent running max ± 10%  
 Voltage imbalance between phases max 2%  
 No. of starts/hour max 15

## Cable

**Direct-on-line start**  
 SUBCAB® 4G2,5 mm<sup>2</sup>  
 4G2,5+2x1,5 mm<sup>2</sup>

**Y/D start**  
 SUBCAB® 7G2,5 mm<sup>2</sup>

## VDP Application

NSSHÖU../3E+St 3x2,5+3x2,5/3E+3x1,5 St

## Monitoring equipment

Thermal switches in stator windings. 125°C

## Material

### Vortex impeller

Alternative	Material
1	Cast iron
2	Ductile cast iron

### Pump housing

Alternative	Material
1	Cast iron
2	Ductile cast iron

Stator housing Cast iron  
 Shaft Stainless steel  
 O-rings Nitrile rubber

### Mechanical face seals

Alternative	Inner seal	Outer seal
1	Aluminium oxide/ Corrosion resistant cemented carbide	Aluminium oxide/ Aluminium oxide
2	Aluminium oxide/ Aluminium oxide	Aluminium oxide/ Aluminium oxide
3	Aluminium oxide/ Aluminium oxide	Corrosion resistant cemented carbide/ Corrosion resistant cemented carbide
4	Corrosion resistant cemented carbide/ Corrosion resistant cemented carbide	Corrosion resistant cemented carbide/ Corrosion resistant cemented carbide
5	Corrosion resistant cemented carbide/ Corrosion resistant cemented carbide	Aluminium oxide/ Aluminium oxide
6	Carbon/Aluminium oxide	Aluminium oxide/ Aluminium oxide
7	Carbon/Aluminium oxide	Corrosion resistant cemented carbide/ Corrosion resistant cemented carbide

### Surface Treatment

All cast parts are coated with a primer. The finish coat is a synthetic varnish.

### Weight

See dimensional drawing.

### Option

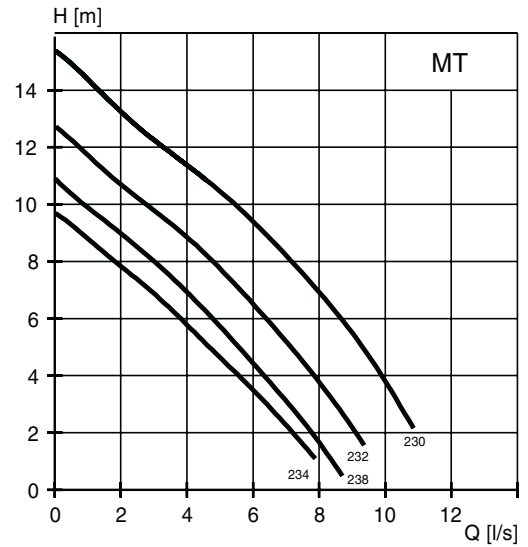
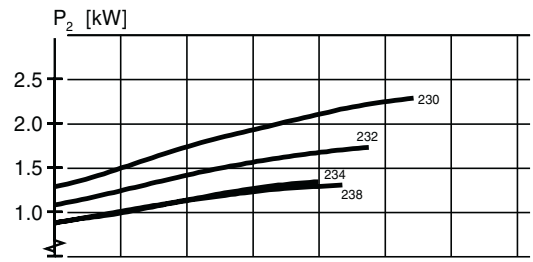
3057.091 Ex. proof design  
 Leakage sensor in stator housing FLS  
 Warm liquid version on request  
 Other cables  
 Thermal switches in stator windings  
 Zinc anodes

### Accessories

Discharge connections, adapters, hose connections and other mechanical accessories.  
 Electrical accessories such as pump controller, control panels, starters, monitoring relays, cables.  
 See separate booklet or [www.flygt.com](http://www.flygt.com), for further information

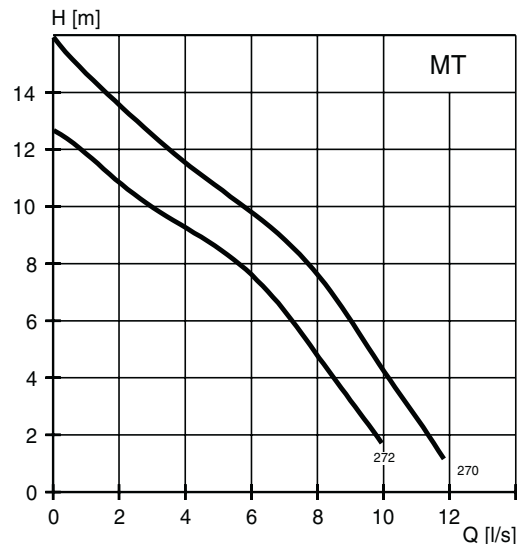
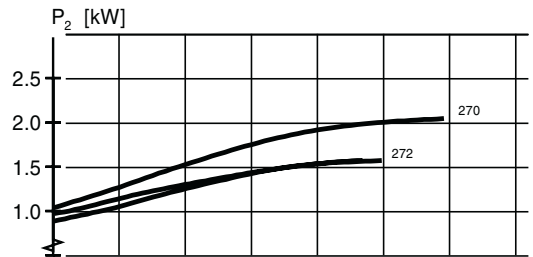
### MT-Motor rating and performance curve

Curve/Impeller No	Rated power, kW	Rated current, A	Starting current, A	Power factor cos φ	Impeller throughtlet, mm	Ex proof version available	Installation			
							F	H	P	S
<b>400 V, 50 Hz, 3 ~, 2695 r/min</b>										
230	1,7	3,8	17,0	0,87	48	•	•	•	•	•
230	1,7	3,8	17,0	0,87	48		•			
232	1,7	3,8	17,0	0,87	48	•	•	•	•	
232	1,7	3,8	17,0	0,87	48		•			
234	1,7	3,8	17,0	0,87	48	•	•	•	•	
234	1,7	3,8	17,0	0,87	48		•			
<b>400 V, 50 Hz, 3 ~, 2700 r/min</b>										
230	2,4	5,3	24,0	0,87	48	•	•	•	•	
230	2,4	5,3	24,0	0,87	48		•			
232	2,4	5,3	24,0	0,87	48	•	•	•	•	
232	2,4	5,3	24,0	0,87	48		•			
234	2,4	5,3	24,0	0,87	48	•	•	•	•	
234	2,4	5,3	24,0	0,87	48		•			
<b>230 V, 50 Hz, 1 ~, 2700 r/min</b>										
234	1,5	8,9	28,0	0,99	48		•	•	•	•
238	1,5	8,9	28,0	0,99	48		•	•	•	•



### MT- Motor rating and performance curve (abrasion resistant version)

Curve/Impeller No	Rated power, kW	Rated current, A	Starting current, A	Power factor cos φ	Impeller throughtlet, mm	Ex proof version available	Installation			
							F	H	P	S
<b>400 V, 50 Hz, 3 ~, 2700 r/min</b>										
270	2,4	5,3	24,0	0,87	24	•	•		•	
272	2,4	5,3	24,0	0,87	24	•	•		•	

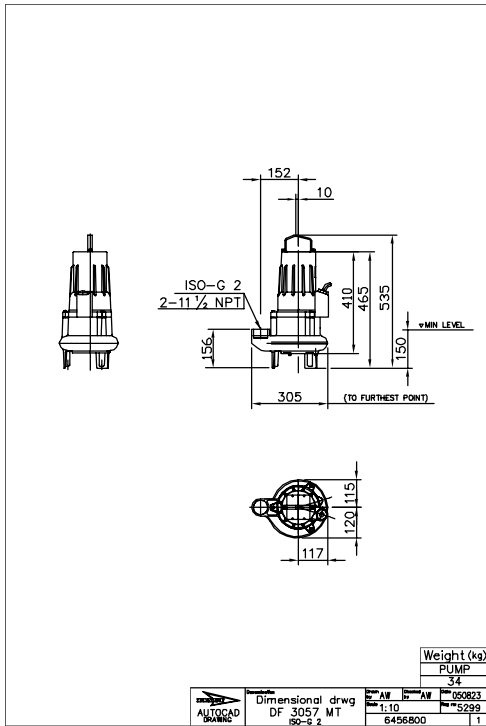


### Dimensional drawing

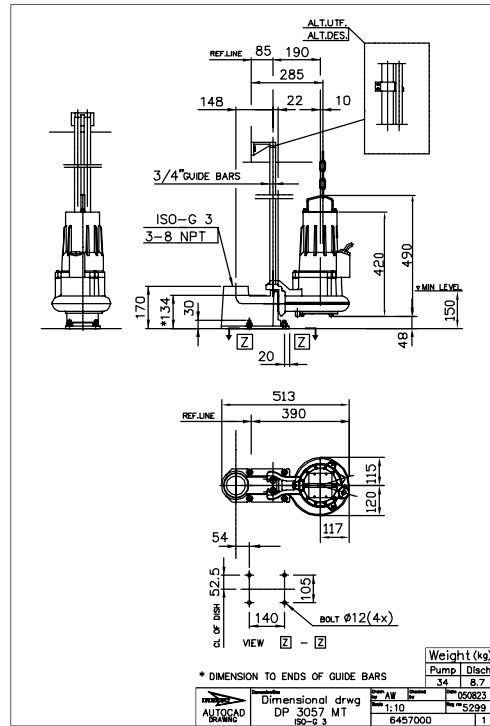
All drawings are available as Acrobat documents (.pdf) and AutoCad drawings (.dwg). Download the drawings from [www.flygt.com](http://www.flygt.com) or contact your ITT Flygt representative for more information.

All dimensions are in mm.

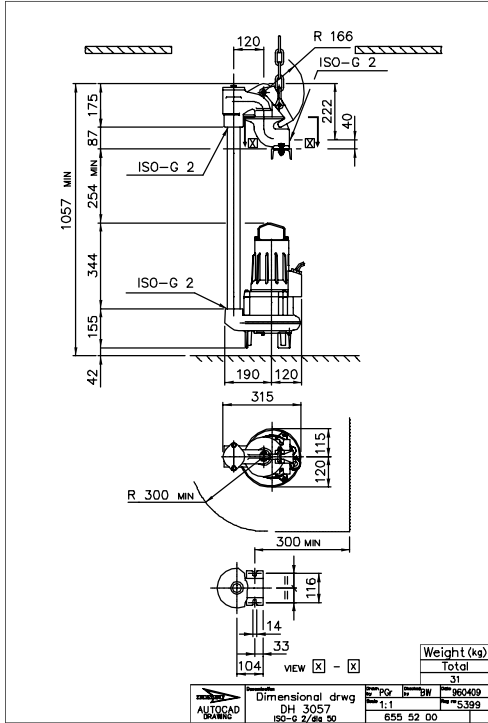
#### MT, F-installation



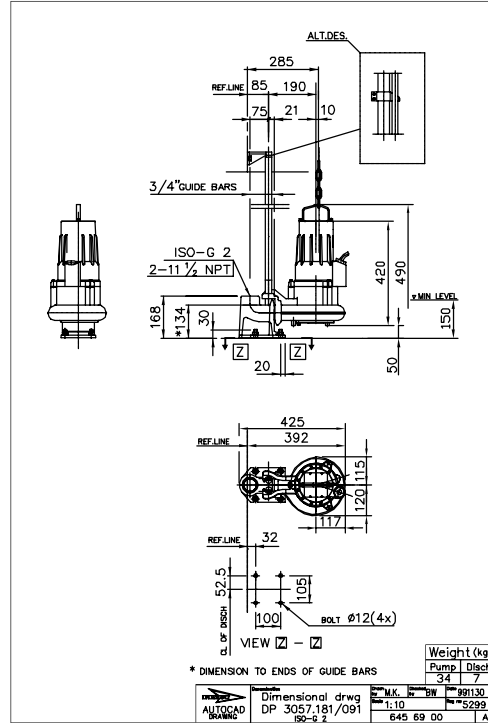
#### MT, F-installation (ARV)



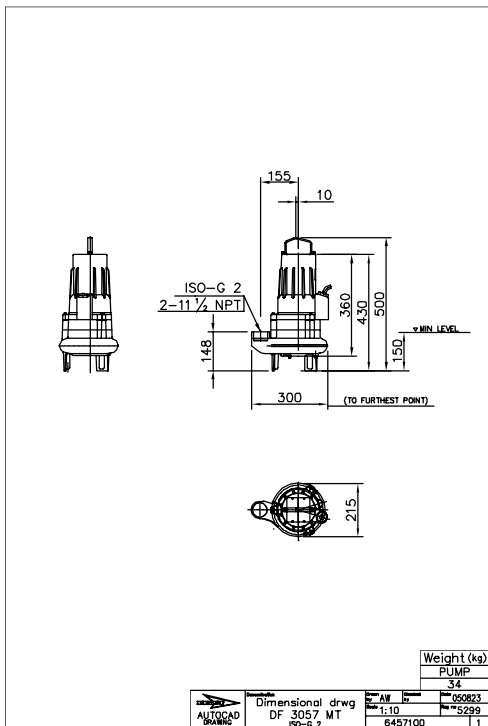
MT, H-installation



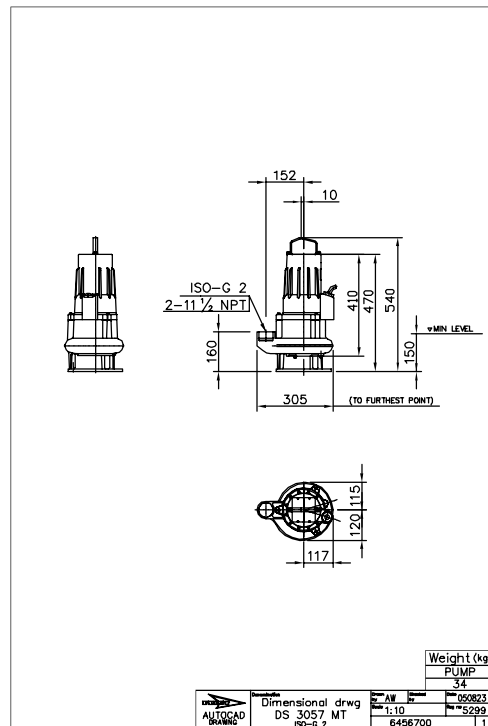
MT, P-installation



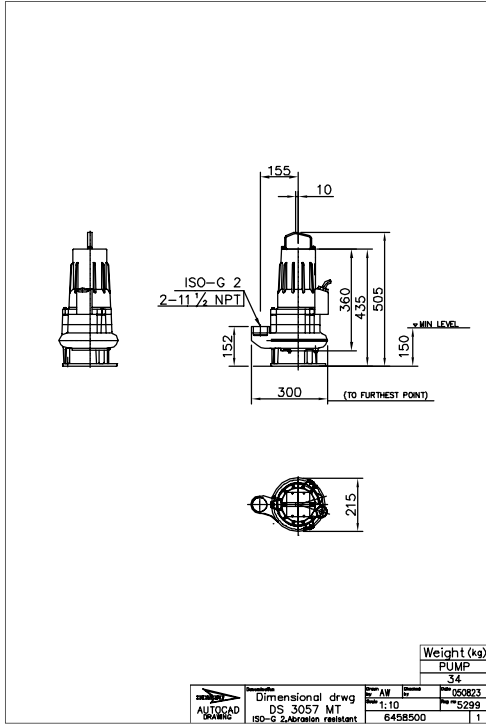
MT, F-installation



MT, S-installation



MT, S-installation (ARV)





[www.flygt.com](http://www.flygt.com)