



Technical specification

Submersible pump D 3085, 50 Hz



Flygt





D 3085

Product

Submersible pump for pumping liquids containing solids, abrasive media or low volumes at high heads.

Denomination

Product code	3085.183
Installation	P, S
Impeller characteristic	MT, HT

Process data

Liquid temperature	max +40 °C
Depth of immersion	max 20 m
The pH of the pumped liquid	pH 5,5-14
Liquid density	max. 1100 kg/m ³

Motor data

Frequency	50 Hz
Insulation class	H (+180 °C)
Voltage variation	
- continuously running	max ± 5%
- intermittent running	max ± 10%
Voltage imbalance between phases	max 2%
No. of starts/hour	max 30

Cable

Direct-on-line start

SUBCAB®	4G1,5 mm ²
	4G1,5+2x1,5 mm ²
	4G2,5 mm ²
	4G2,5+2x1,5 mm ²

Y/D start

SUBCAB®	7G2,5 mm ²
---------	-----------------------

Monitoring equipment

Thermal contacts opening temperature	125 °C
--------------------------------------	--------

Material

Vortex impeller	Cast iron
Pump housing	Cast iron
Stator housing	Cast iron
Shaft	Stainless steel
O-rings	Nitrile rubber

Mechanical face seals

Alternative	Inner seal	Outer seal
1	Carbon/ Aluminium oxide	Corrosion resistant cemented carbide/ Corrosion resistant cemented carbide
2	Carbon/ Aluminium oxide	Silicon carbide/ Silicon carbide

Surface Treatment

The finishing coat is a two pack oxiran ester paint.

Weight

See dimensional drawing.

Option

3085.092	Ex. proof design
3085.280	Stainless steel design
3085.290	Stainless steel/ex proof design
Warm liquid version on request	
Pump housing	Hardened design
Leakage sensor in stator housing	FLS
Leakage sensor in oil housing	CLS
Other cables	
Surface treatment	Epoxy treatment
Hydraulic parts in hardened cast iron	

Accessories

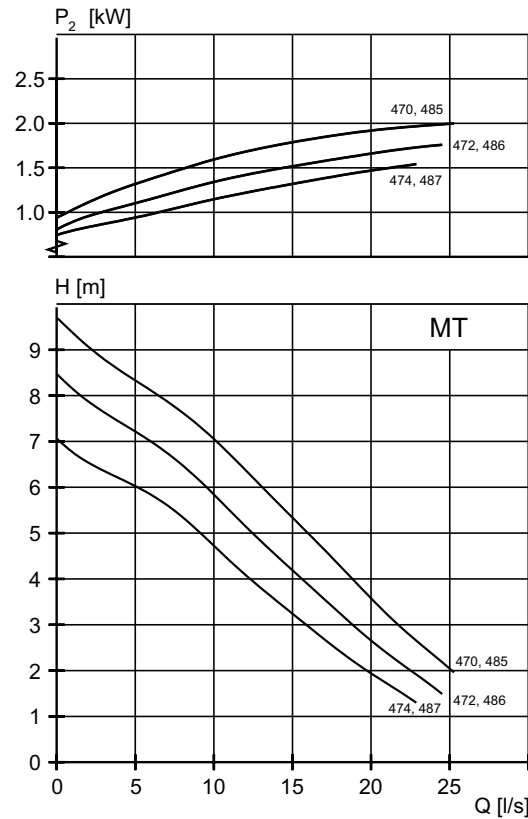
Discharge connections, adapters, hose connections and other mechanical accessories.

Electrical accessories such as pump controller, control panels, starters, monitoring relays, cables.

See separate booklet or www.flygt.com, for further information

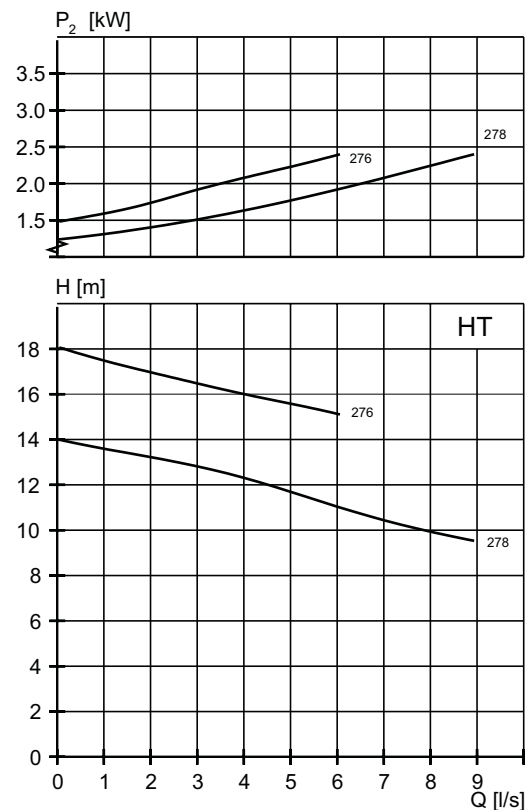
MT-Motor rating and performance curve

Curve/Impeller No	Rated power, kW	Rated current, A	Starting current, A	Power factor cos φ	Impeller throughliet, mm	Ex proof version available	Installation			
							P	S		
400 V, 50 Hz, 3 ~, 1385 r/min										
474	1,3	3,2	13,0	0,83	76	•	•	•		
400 V, 50 Hz, 3 ~, 1395 r/min										
470	2,0	4,6	22,0	0,83	76	•	•	•		
472	2,0	4,6	22,0	0,83	76	•	•	•		
474	2,0	4,6	22,0	0,83	76	•	•	•		
485	2,0	4,6	22,0	0,83	76	•	•	•		
486	2,0	4,6	22,0	0,83	76	•	•	•		
487	2,0	4,6	22,0	0,83	76	•	•	•		
230 V, 50 Hz, 1 ~, 1425 r/min										
472	1,5	9,4	44,0	0,90	76		•	•		
474	1,5	9,4	44,0	0,90	76		•	•		
486	1,5	9,4	44,0	0,90	76		•	•		
487	1,5	9,4	44,0	0,90	76		•	•		



HT- Motor rating and performance curve

Curve/Impeller No	Rated power, kW	Rated current, A	Starting current, A	Power factor cos φ	Impeller throughliet, mm	Ex proof version available	Installation			
							P	S		
400 V, 50 Hz, 3 ~, 2830 r/min										
276	2,4	4,7	27,0	0,92	52	•	•	•		
278	2,4	4,7	27,0	0,92	52	•	•	•		

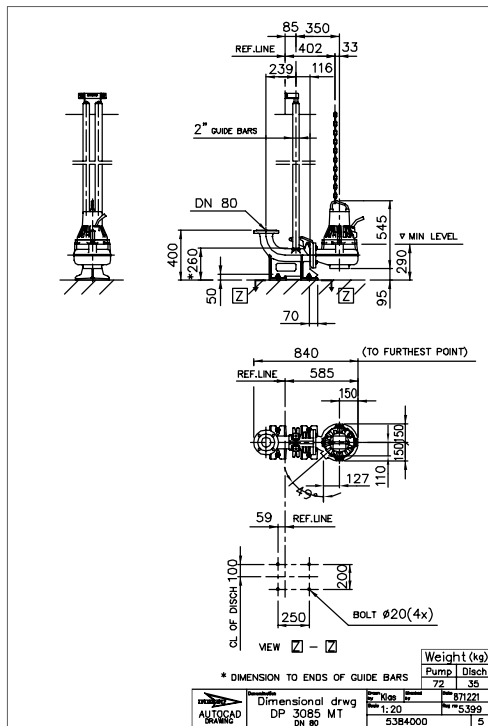


Dimensional drawing

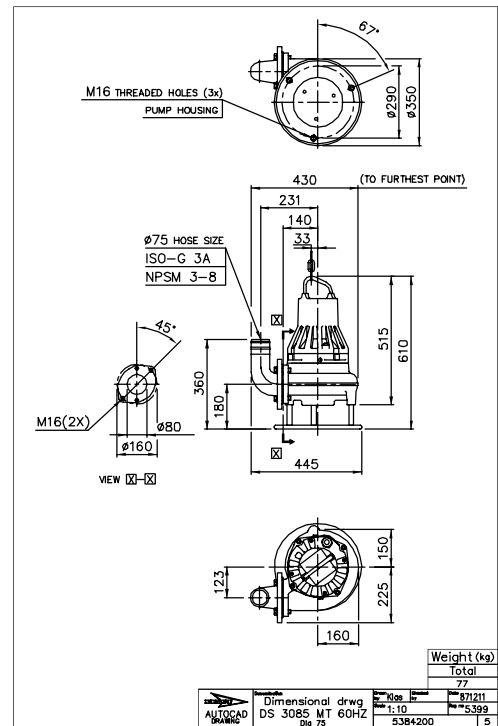
All drawings are available as Acrobat documents (.pdf) and AutoCad drawings (.dwg). Download the drawings from www.flygt.com or contact your ITT Flygt representative for more information.

All dimensions are in mm.

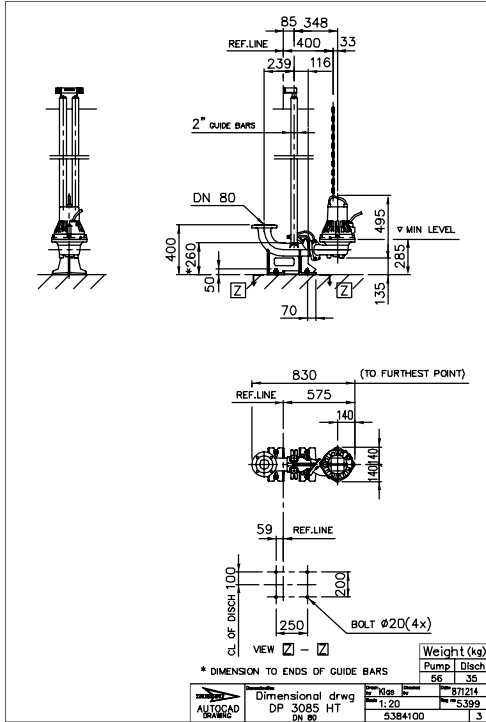
MT, P-installation



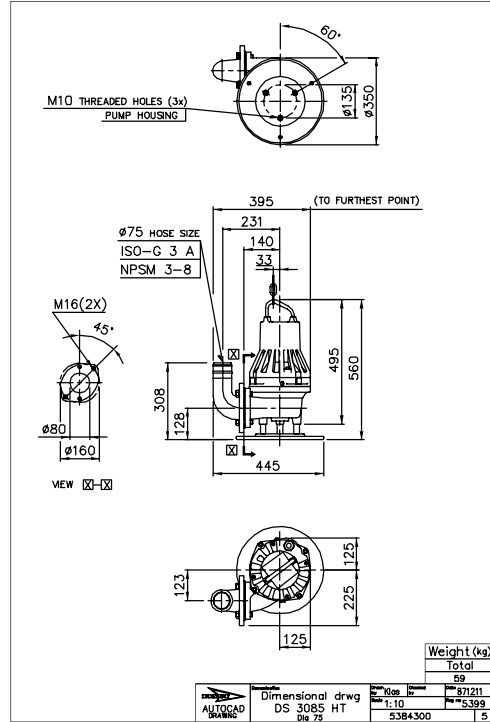
MT, S-installation



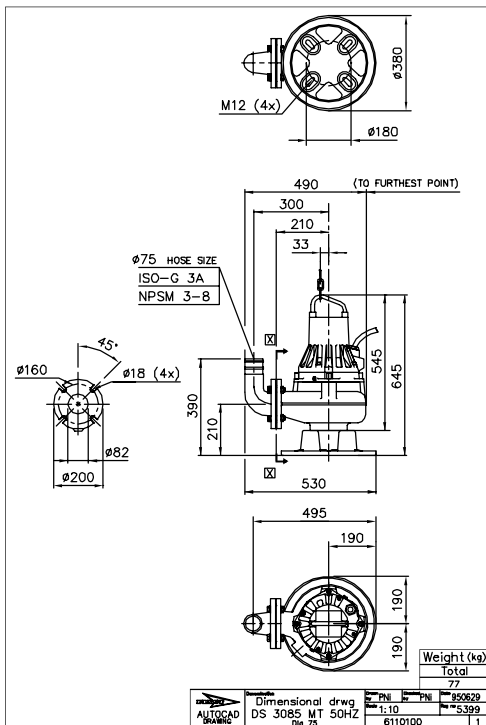
HT, P-installation



HT, S-installation



MT, S-installation





www.flygt.com