



# Technical specification

---

Submersible pump F 3102, 50 Hz



Flygt







## F 3102

### Product

Submersible pump for pumping liquid manure, or heavily contaminated sewage and sludge. The impeller is S-shaped and fitted with a cutting device.

### Denomination

Product code 3102.181  
 Installation P, S  
 Impeller characteristic LT

### Process data

Liquid temperature max +40 °C  
 Depth of immersion max 20 m  
 The pH of the pumped liquid pH 5,5-14  
 Liquid density max. 1100 kg/m<sup>3</sup>

### Motor data

Frequency 50 Hz  
 Insulation class H (+180 °C)  
 Voltage variation  
 - continuously running max ± 5%  
 - intermittent running max ± 10%  
 Voltage imbalance between phases max 2%  
 No. of starts/hour max 30

### Cable

#### Direct-on-line start

SUBCAB® 4G2,5 mm<sup>2</sup>  
 4G2,5+2x1,5 mm<sup>2</sup>

### Y/D start

SUBCAB® 7G2,5 mm<sup>2</sup>  
 7G2,5+2x1,5 mm<sup>2</sup>

### Monitoring equipment

Thermal contacts opening temperature 125 °C

### Material

Impeller Cast iron  
 Pump housing Cast iron  
 Stator housing Cast iron  
 Shaft Stainless steel  
 O-rings Nitrile rubber

### Mechanical face seals

Alternative	Inner seal	Outer seal
1	Aluminium oxide/ Corrosion resistant cemented carbide	Aluminium oxide/ Corrosion resistant cemented carbide
2	Aluminium oxide/ Corrosion resistant cemented carbide	Corrosion resistant cemented carbide/ Corrosion resistant cemented carbide
3	Corrosion resistant cemented carbide/ Corrosion resistant cemented carbide	Aluminium oxide/ Corrosion resistant cemented carbide
4	Corrosion resistant cemented carbide/ Corrosion resistant cemented carbide	Corrosion resistant cemented carbide/ Corrosion resistant cemented carbide

### Surface Treatment

All cast parts are primed with a water-borne primer. The finishing coat is a high-solid two pack paint.

### Weight

See dimensional drawing.

### Option

3102.090 Ex. proof design  
 Warm liquid version on request  
 Leakage sensor in stator housing FLS  
 Leakage sensor in oil housing CLS  
 Surface treatment Epoxy treatment  
 Other cables  
 Zinc anodes

### Accessories

Discharge connections, hose connections and other mechanical accessories.

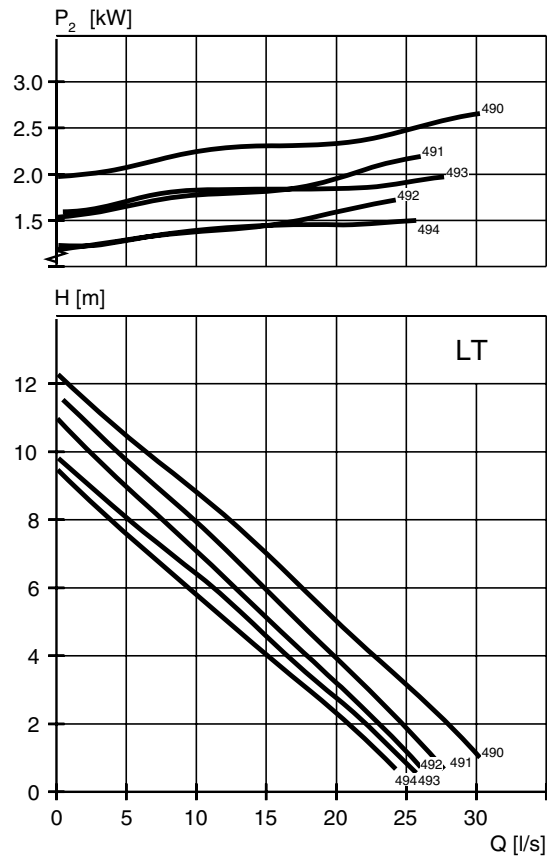
Electrical accessories such as pump controller, control panels, starters, monitoring relays, cables.

See separate booklet or [www.flygt.com](http://www.flygt.com), for further information.

### LT-Motor rating and performance curve

Curve/Impeller No	Rated power, kW	Rated current, A	Starting current, A	Power factor cos φ	Ex proof version available	Installation					
						P	S				
<b>400 V, 50 Hz, 3 ~, 1435 r/min</b>											
490	3,1	6,4	37	0,86	•	•	•				
491	3,1	6,4	37	0,86	•	•	•				
492	3,1	6,9	39	0,77	•	•	•				
493	3,1	6,9	39	0,77	•	•	•				
494	3,1	6,9	39	0,77	•	•	•				

Y/D starting current is approximately 1/3 of D starting current.

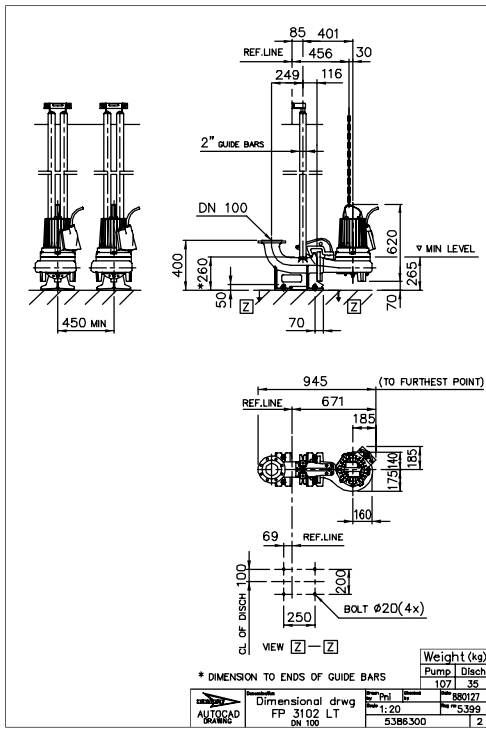


### Dimensional drawing

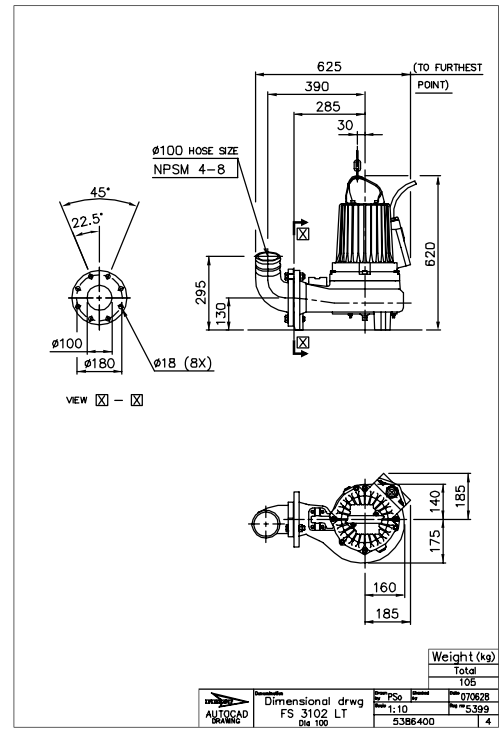
All drawings are available as Acrobat documents (.pdf) and AutoCad drawings (.dwg). Download the drawings from [www.flygt.com](http://www.flygt.com) or contact your ITT Flygt representative for more information.

All dimensions are in mm.

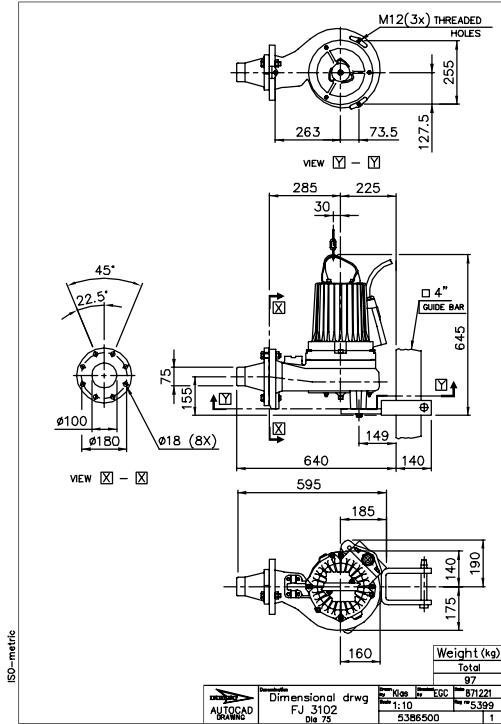
#### LT, P-installation



#### LT, S-installation



J-installation







[www.flygt.com](http://www.flygt.com)