



Technical specification

Submersible pump F 3127, 50 Hz



Flygt





F 3127

Product

Submersible pump for pumping liquid manure, or heavily contaminated sewage and sludge. The impeller is S-shaped and fitted with a cutting device and a break pin to protect the pump.

Denomination

Product code 3127.181
 Installation J, P, S,
 Impeller characteristic LT

Process data

Liquid temperature max +40 °C
 Depth of immersion max 20 m
 The pH of the pumped liquid pH 5,5-14
 Liquid density max. 1100 kg/m³

Motor data

Frequency 50 Hz
 Insulation class H (+180 °C)
 Voltage variation
 - continuously running max ± 5%
 - intermittent running max ± 10%
 Voltage imbalance between phases max 2%
 No. of starts/hour max 30

Cable

Direct-on-line start

SUBCAB®
 4G2,5 mm²
 4G2,5+2x1,5 mm²
 4G4 mm²
 4G4+2x1,5 mm²

Y/D start

SUBCAB®
 7G2,5 mm²
 7G2,5+2x1,5 mm²
 7G4+2x1,5 mm²

Monitoring equipment

Thermal contacts opening temperature 125 °C

Material

Impeller Cast iron
 Pump housing Cast iron
 Stator housing Cast iron
 Shaft Stainless steel
 O-rings Nitrile rubber

Mechanical face seals

Alternative	Inner seal	Outer seal
1	Carbon/Aluminium oxide	Corrosion resistant cemented carbide/ Corrosion resistant cemented carbide
2	Corrosion resistant cemented carbide/ Corrosion resistant cemented carbide	Corrosion resistant cemented carbide/ Corrosion resistant cemented carbide
3	Corrosion resistant cemented carbide/ Corrosion resistant cemented carbide	Silicone carbide/ Silicone carbide

Surface Treatment

All cast parts are primed with a water-borne primer. The finishing coat is a high-solid two pack paint.

Weight

See dimensional drawing.

Option

3127.090 Ex. proof design
 Warm liquid version on request
 Leakage sensor in stator housing FLS
 Leakage sensor in oil housing CLS
 Surface treatment Epoxy treatment
 Other cables
 Zinc anodes

Accessories

Discharge connections, hose connections and other mechanical accessories.

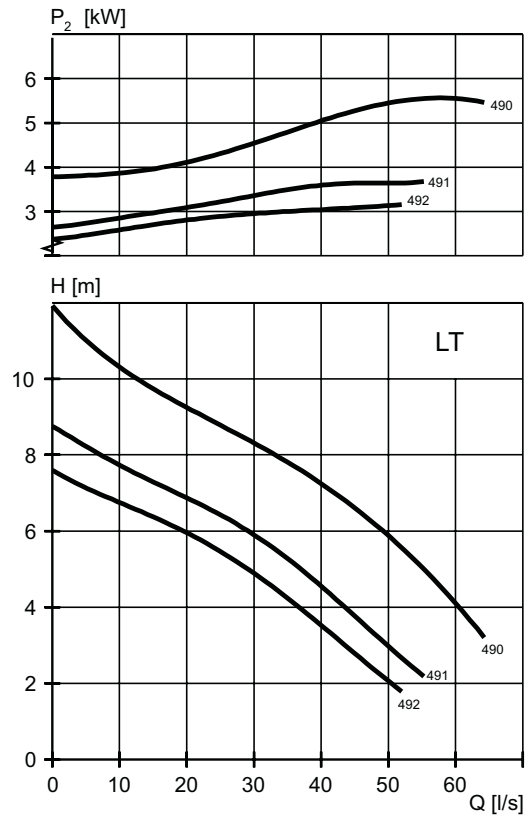
Electrical accessories such as pump controller, control panels, starters, monitoring relays, cables.

See separate booklet or www.flygt.com, for further information.

LT-Motor rating and performance curve

Curve/Impeller No	Rated power, kW	Rated current, A	Starting current, A	Power factor cos φ	Ex proof version available	Installation		
						J	P	S
400 V, 50 Hz, 3 ~, 1455 r/min								
491	4,0	8,3	56	0,84	•			
492	4,0	8,3	56	0,84	•			
400 V, 50 Hz, 3 ~, 1445 r/min								
491	4,7	9,6	56	0,86	•	•	•	•
492	4,7	9,6	56	0,86	•	•	•	•
400 V, 50 Hz, 3 ~, 1460 r/min								
491	4,7	10	77	0,81	•			
492	4,7	10	77	0,81	•			
400 V, 50 Hz, 3 ~, 1450 r/min								
490	5,9	12	77	0,84	•	•	•	•
491	5,9	12	77	0,84	•	•	•	•
492	5,9	12	77	0,84	•	•	•	•

Y/D starting current is approximately 1/3 of D starting current.

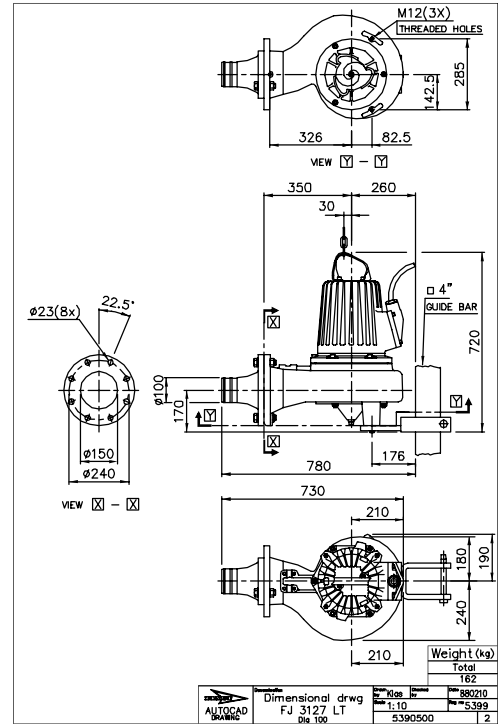


Dimensional drawing

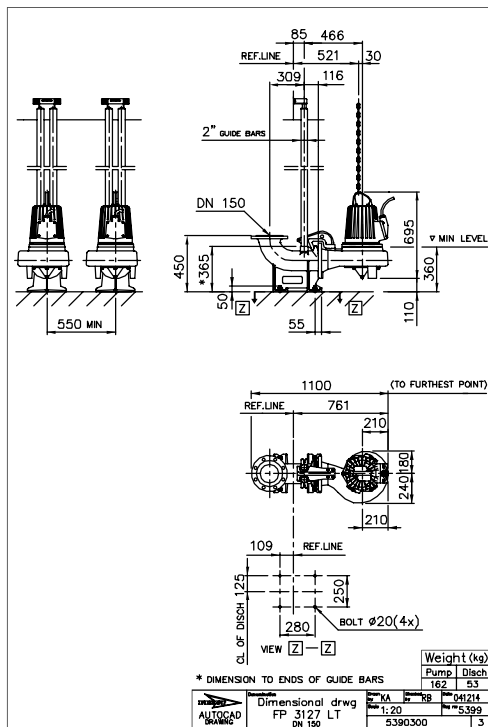
All drawings are available as Acrobat documents (.pdf) and AutoCad drawings (.dwg). Download the drawings from www.flygt.com or contact your ITT Flygt representative for more information.

All dimensions are in mm.

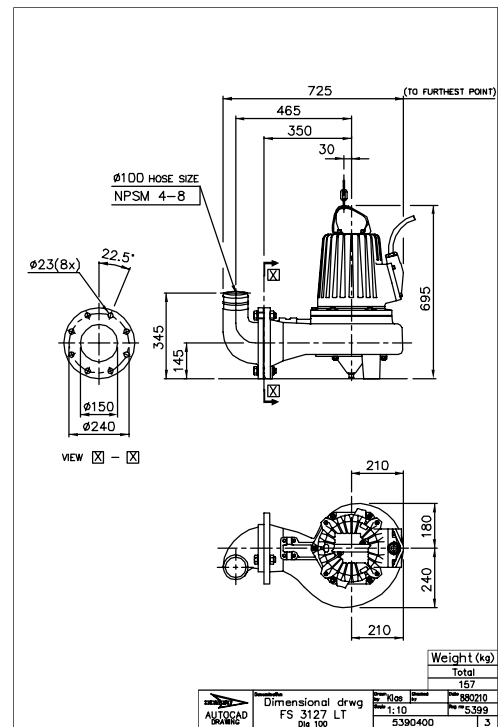
LT, J-installation



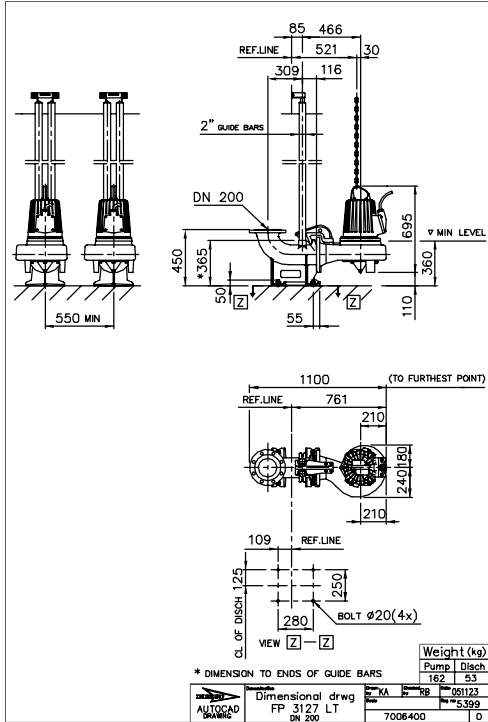
LT, P-installation



LT, S-installation



LT, P-installation





www.flygt.com