

Hydraulic Unit P7045

Table of Contents

Introduction	2
Purpose of this manual.....	2
Disclaimer.....	2
Data for ordering spare parts.....	2
Specially approved products.....	2
Qualification of personnel.....	2
Dimensional accuracy inspection.....	2
Product Description	3
The data plates.....	3
Approvals.....	5
Product approvals for hazardous locations.....	5
EN approval plate.....	7
IEC approval plate.....	7
FM approval plate.....	8
Product denomination.....	8
Hydraulic Unit	10
P7045.....	10
Seal 384 03 07.....	12
Accessories	13
Zinc anodes.....	13

Introduction

Purpose of this manual

The purpose of this manual is to provide necessary information on spare parts and accessories order.

Disclaimer

Always use genuine Flygt parts. The use of other spare parts or accessories can invalidate any claims for warranty or compensation. Xylem does not take any responsibility for damages caused by the use of non-original parts. For more information, contact your Xylem representative.

Data for ordering spare parts

The following information is needed for spare part orders:

- Serial number of the product
- Part number
- Quantity (* specify piece goods)

Specially approved products

Qualification of personnel

Only Xylem or Xylem-authorized service personnel may undertake repair work on Ex-approved products.

Dimensional accuracy inspection

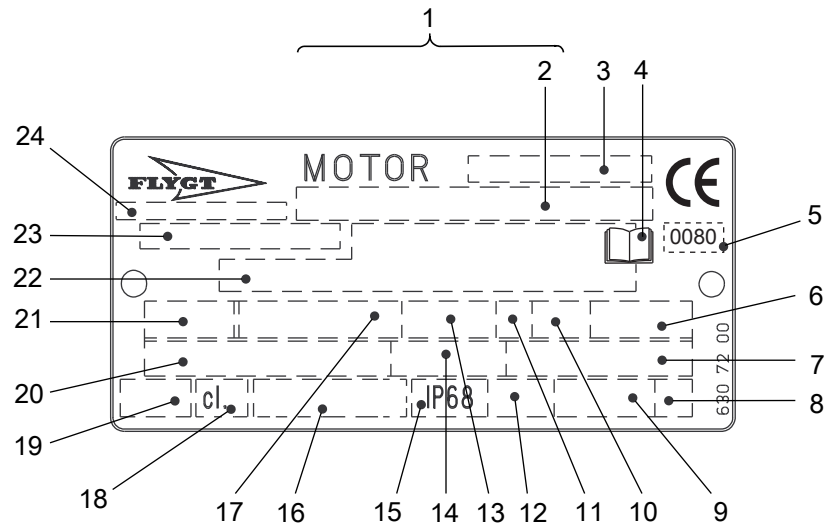
Spare parts marked with (EX) after the part number are subject to dimensional accuracy inspection.

Product Description

The data plates

The data plates include key product specifications.

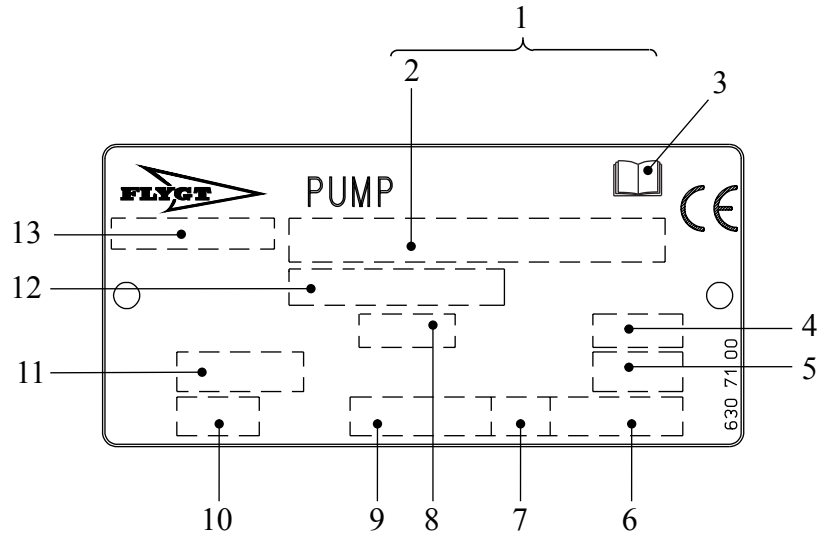
Drive unit



1. Serial number
2. Product code + Number
3. Motor denomination
4. Read installation manual
5. Notified body / only for EN-approved Ex-products
6. Maximum ambient temperature
7. Power factor
8. Locked rotor code letter
9. Product weight
10. Duty factor
11. Duty class
12. Maximal submergence
13. Rated speed
14. Rated current
15. Degree of protection
16. International standard
17. Rated shaft power
18. Thermal class
19. Thermal protection
20. Rated voltage
21. Phase; Type of current; Frequency
22. Additional information
23. Product number
24. Country of origin

Figure 1: The drive unit plate valid from 990101

Hydraulic unit


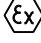








- 1. Serial number
- 2. Product code + Number
- 3. Read installation manual
- 4. Impeller diameter
- 5. Propeller blade angle
- 6. Product weight
- 7. Direction of rotation: L=left, R=right
- 8. Propeller code
- 9. Rated speed
- 10. Pressure class
- 11. Column diameter/Inlet and outlet diameter
- 12. Product number
- 13. Country of origin





Figure 2: The hydraulic unit plate

Approvals

Product approvals for hazardous locations

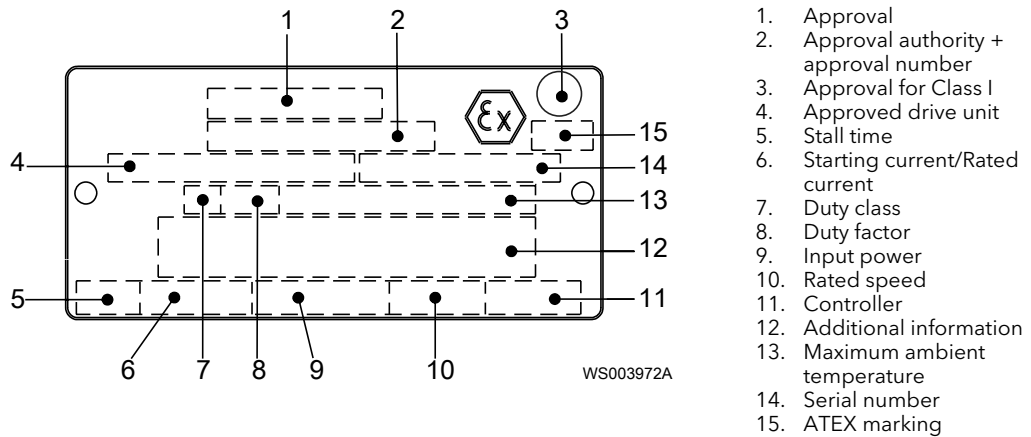
Drive Unit	Approval
615, 675	European Norm (EN) <ul style="list-style-type: none"> • ATEX Directive • EN 60079-0, EN 60079-1, EN 1127-1 •  II 2 G Ex d IIB T3 •  II 2 G Ex d IIB T4
	IEC <ul style="list-style-type: none"> • IECEx scheme • IEC 60079-0, IEC 60079-1 • Ex d IIB T3 • Ex d IIB T4
	EN approval for cable entry: <ul style="list-style-type: none"> • Certificate number: INERIS 02ATEX9008 U •  II 2 G Ex d IIC or I M2 Ex d I
	Factory Mutual (FM) <ul style="list-style-type: none"> • Class I. Div 1. Group C and D • Dust ignition proof for use in Class II. Div 1. Group E, F and G • Suitable for use in Class III. Div 1. Hazardous Locations

Drive Unit	Approval
<p>715, 745, 775</p>	<p>European Norm (EN)</p> <ul style="list-style-type: none"> • ATEX Directive • EN 60079-0, EN 60079-1, EN 1127-1 •  II 2 G Ex d IIB T3 •  II 2 G Ex d IIB T4
	<p>IEC</p> <ul style="list-style-type: none"> • IECEx scheme • IEC 60079-0, IEC 60079-1 • Ex d IIB T3 • Ex d IIB T4
	<p>EN approval for cable entry:</p> <ul style="list-style-type: none"> • Certificate number: INERIS 02ATEX9008 U •  II 2 G Ex d IIC or I M2 Ex d I
	<p>Factory Mutual (FM)</p> <ul style="list-style-type: none"> • Class I. Div 1. Group C and D • Dust ignition proof for use in Class II. Div 1. Group E, F and G • Suitable for use in Class III. Div 1. Hazardous Locations
<p>815, 845, 875, 895 872, 892</p>	<p>European Norm (EN)</p> <ul style="list-style-type: none"> • ATEX Directive • EN 60079-0, EN 60079-1, EN 1127-1 •  II 2 G Ex d IIB T3
	<p>IEC</p> <ul style="list-style-type: none"> • IECEx scheme • IEC 60079-0, IEC 60079-1 • Ex d IIB T3
	<p>EN approval for cable entry:</p> <ul style="list-style-type: none"> • Certificate number: INERIS 02ATEX9008 U •  II 2 G Ex d IIC or I M2 Ex d I
	<p>Factory Mutual (FM)</p> <ul style="list-style-type: none"> • Class I. Div 1. Group C and D • Dust ignition proof for use in Class II. Div 1. Group E, F and G • Suitable for use in Class III. Div 1. Hazardous Locations

Drive Unit	Approval
915, 945, 975 960, 995, 998	European Norm (EN) <ul style="list-style-type: none"> • ATEX Directive • EN 60079-0, EN 60079-1, EN 1127-1 •  I M2 Ex d I •  II 2 G Ex d IIB T3 •  II 2 G Ex d IIB T4 (For T4, T _{amb} = 25°C.)
	IEC <ul style="list-style-type: none"> • IECEx scheme • IEC 60079-0, IEC 60079-1 • Ex d I • Ex d IIB T3 • Ex d IIB T4 (For T4, T _{amb} = 25°C.)
	EN approval for cable entry: <ul style="list-style-type: none"> • Certificate number: INERIS 02ATEX9008 U •  II 2 G Ex d IIC or I M2 Ex d I
	Factory Mutual (FM) <ul style="list-style-type: none"> • Class I. Div 1. Group C and D • Dust ignition proof for use in Class II. Div 1. Group E, F and G • Suitable for use in Class III. Div 1. Hazardous Locations

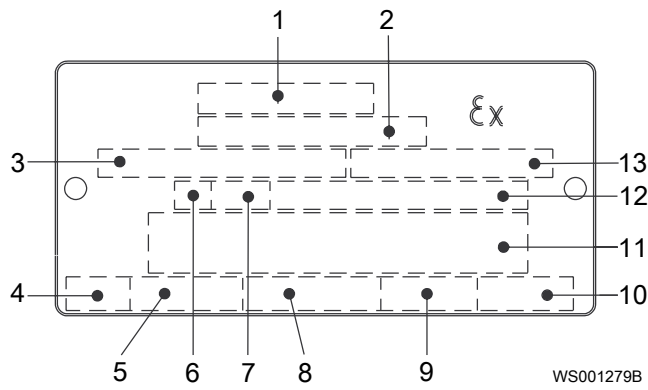
EN approval plate

This illustration describes the EN approval plate and the information contained in its fields.



IEC approval plate

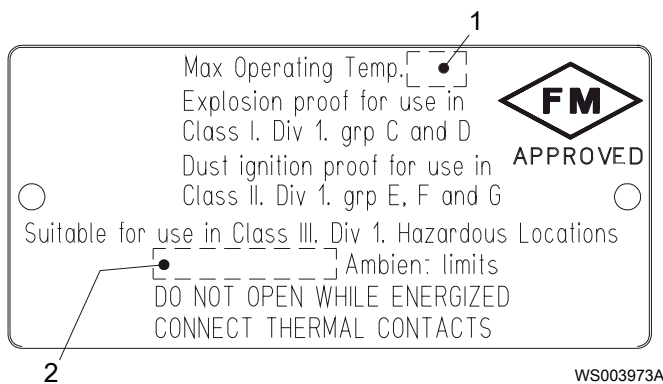
This illustration describes the IEC approval plate and the information contained in its fields. International Norm; not for EU member countries.



1. Approval
2. Approval authority + approval number
3. Approved for drive unit
4. Stall time
5. Starting current/Rated current
6. Duty class
7. Duty factor
8. Input power
9. Rated speed
10. Controller
11. Additional information
12. Max. ambient temperature
13. Serial number

FM approval plate

This illustration describes the FM approval plate and the information contained in its fields.



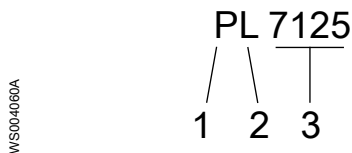
1. Temperature class
2. Maximum ambient temperature

Product denomination

Sales denomination

The sales denomination consists of the four-digit sales code and two letters that indicate the hydraulic end and type of installation.

This is an example of a sales denomination, and an explanation of its parts.

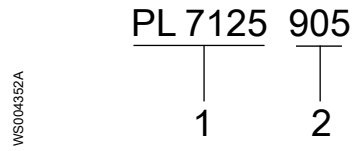


1. Hydraulic part
2. Installation type
3. Sales code

Product code

The product code consists of nine characters divided into two parts.

This is an example of a product code, and an explanation of its parts.



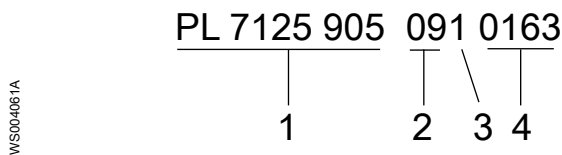
WS004352A

1. Sales denomination
2. Drive unit

Serial number

The serial number is used for identification of an individual product, and is divided into four parts.

This is an example of a serial number, and an explanation of its parts.

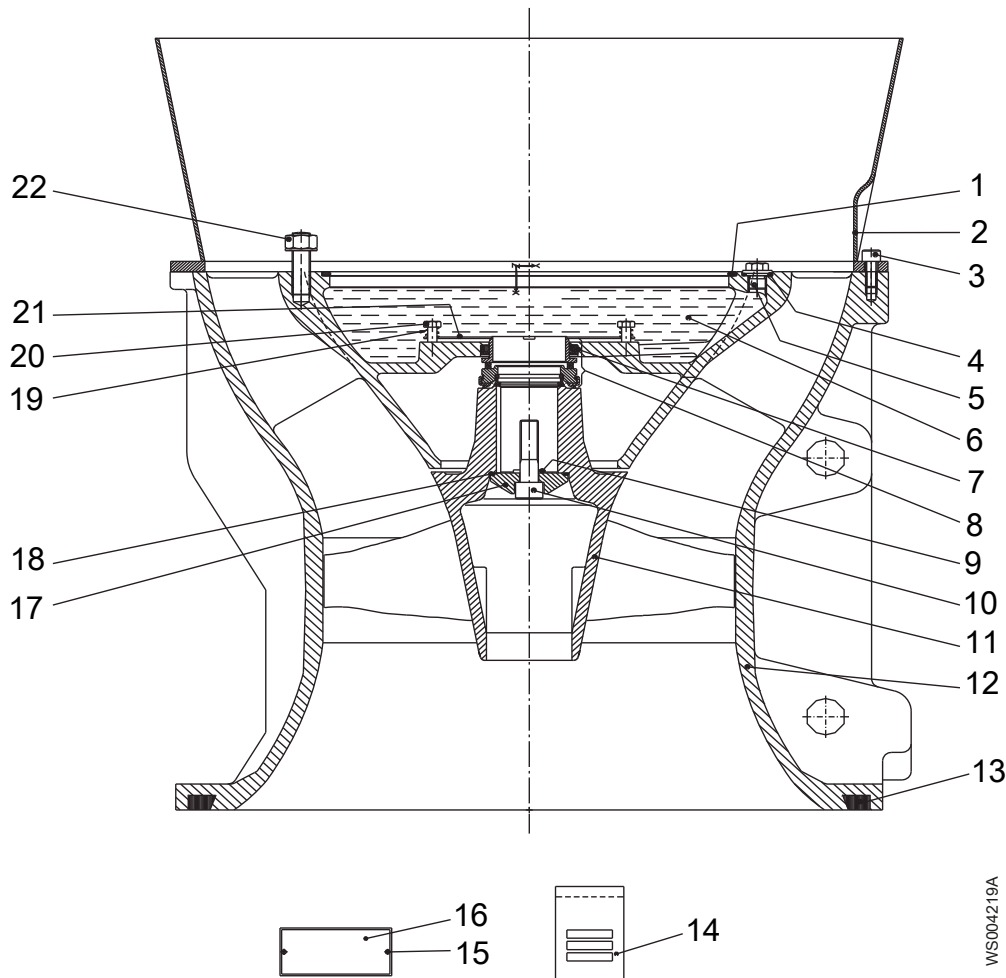


WS004061A

1. Product code
2. Production year
3. Production cycle
4. Running number

Hydraulic Unit

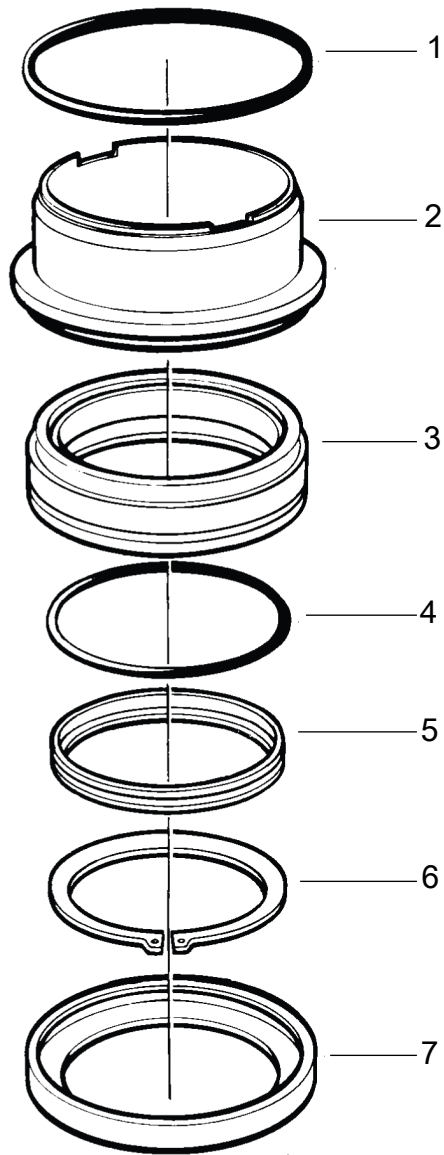
P7045



Item	Denomination	Part No.	Qty.
1	O-ring 339,3x5,7	82 75 05	1
2	Outlet cone	592 96 00	1
3	Screw	83 03 23	8
4	O-ring 19,2x3,0	82 73 90	1
5	Inspection screw 80 Nm torque	428 22 01	1
6	Oil Minimum delivery quantity 220 liter (58 US gal)	90 17 52	4,5 liter
7	Wear protection	382 83 00	1
8	Mechanical seal, see Seal 384 03 07 (page 12)	384 03 07	1
9	Gasket	384 79 00	1
10	Screw M16x60 (150 Nm)	82 01 09	1

Item	Denomination		Part No.	Qty.
11	Propeller hub	9°	465 85 00	1
		13°	465 85 01	
		18°	465 85 02	
12	Pump housing		549 85 00	1
13	G-ring		82 83 48	1
14	Gasket set		388 08 03	1
15	Screw	4x5	82 20 88	4
16	Data plate		630 71 01	1
17	Washer		384 61 00	1
18	O-ring	69,2x5,7	82 74 65	1
19	Compression spring		302 21 00	6
20	Screw		306 73 00	6
21	Washer		319 20 01	1
22	Stud	M16x60	80 95 50	7
	Nut	M16	82 23 61	7
	Washer	BRB 17x30	82 35 23	7

Seal 384 03 07



WS004224A

Item	Denomination		Part No.	Qty.
1	O-ring	89,1x5,7 mm	82 74 06	1
2	Seal ring, stationary	Not delivered separately	-	-
3	Seal ring, rotating	Not delivered separately	-	-
4	O-ring	54,5x3,0 mm	82 75 19	1
5	Ring		384 06 02	1
6	Retaining ring		82 61 11	1
7	Seal ring		396 41 02	2

Accessories

Zinc anodes

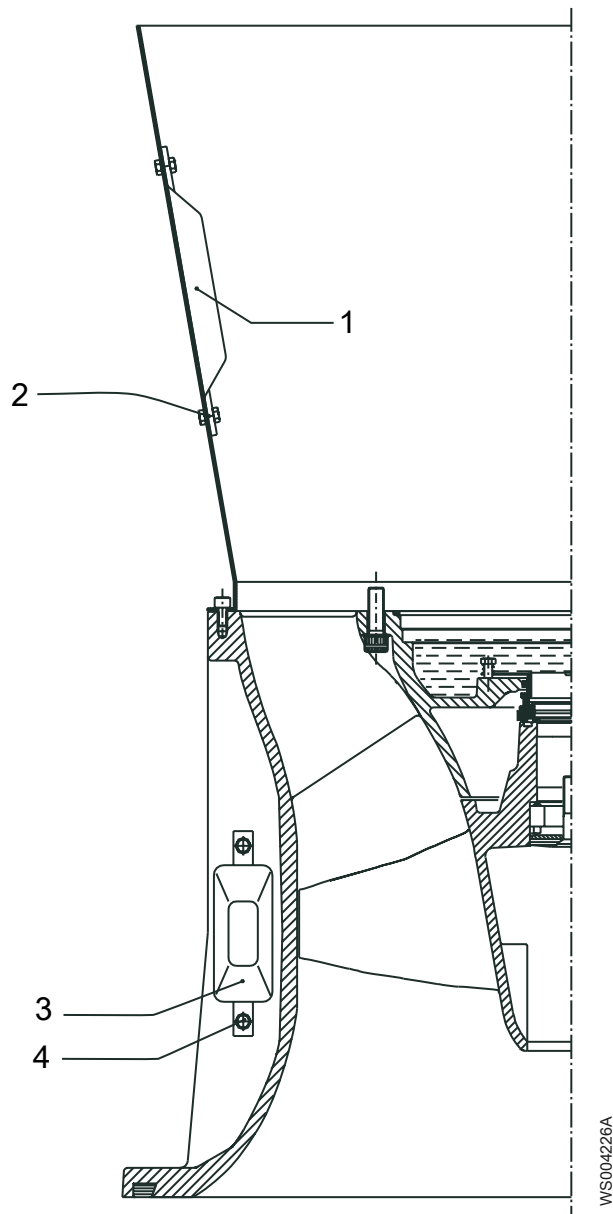


Table 1: Zinc anode set: 454 22 23

Item ¹	Denomination		Part No.	Qty.
1	Anode		84 55 73	8
2	Screw	M8x16	81 41 04	16
	Washer	BRB 8,4x16	82 35 16	32
	Nut	M8	82 23 57	16
3	Anode		84 55 71	4

¹ No items are delivered separately.

Accessories

Item ¹	Denomination		Part No.	Qty.
4	Screw	M5x30	81 93 82	4
	Nut	M5	82 23 55	4

¹ No items are delivered separately.

Xylem |'zīləm|

- 1) The tissue in plants that brings water upward from the roots
- 2) A leading global water technology company

We're 12,500 people unified in a common purpose: creating innovative solutions to meet our world's water needs. Developing new technologies that will improve the way water is used, conserved, and re-used in the future is central to our work. We move, treat, analyze, and return water to the environment, and we help people use water efficiently, in their homes, buildings, factories and farms. In more than 150 countries, we have strong, long-standing relationships with customers who know us for our powerful combination of leading product brands and applications expertise, backed by a legacy of innovation.

For more information on how Xylem can help you, go to xyleminc.com



Xylem Water Solutions AB
Gesällvägen 33
174 87 Sundbyberg
Sweden
Tel. +46-8-475 60 00
Fax +46-8-475 69 00
www.xyleminc.com

Visit our Web site for the latest version of this document and more information

The original instruction is in English. All non-English instructions are translations of the original instruction.

© 2012 Xylem Inc.