



ITT

Water & Wastewater

Technical Specification

Flygt H5100.211, 50 Hz



Engineered for life



H 5100.211

Product

Submersible pump for pumping water containing abrasive particles, sludge, ground water, slurries.

Denomination

Product code	5100.211
Installation	S
Impeller characteristics	MT

Process data

Liquid temperature	max +40 °C
Depth of immersion	max 20 m
The pH of the pumped liquid	pH 5,5-14
Liquid density	depending on impeller size
Impeller throatlet	40 mm

Motor data

Frequency	50 Hz
Insulation class	H (+180 °C)
Voltage variation	
- continuously running	max ± 5%
- intermittent running	max ± 10%
Voltage imbalance between phases	max 2%
No. of starts/hour	max 30

Cable

Direct-on-line start

SUBCAB®	4G2,5+2x1,5 mm ²
SUBCAB®	4G4+2x1,5 mm ²
SUBCAB®	4G6+2x1,5 mm ²
SUBCAB®	4G10+2x1,5 mm ²

Y/D start

SUBCAB®	7G2,5+2x1,5 mm ²
SUBCAB®	7G4+2x1,5 mm ²
SUBCAB®	7G6+2x1,5 mm ²

Monitoring equipment

Thermal contacts opening temperature	140° C
Leakage sensor in inspection chamber	FLS

Material

Impeller	Hard Iron™
Pump housing	Hard Iron™
Stator housing	Cast iron
Shaft	Stainless steel

O-rings

Alternative	Material
1	Nitrile rubber
2	Fluorinated rubber

Mechanical face seals

Alternative	Inner seal	Outer seal
1	2 x Corrosion resistant cemented carbide	2 x Corrosion resistant cemented carbide
2	Corrosion resistant cemented carbide/ Aluminium oxide	2 x Silicone carbide

Surface Treatment

All cast parts are primed with a water-borne primer. The finishing coat is a high-solid two pack paint.

Weight

See dimensional drawing.

Option

5100.221	Ex. proof design
Warm liquid version	
Surface treatment	Epoxy treatment
Screened cables	
Zinc anodes	

Accessories

Adapters, hose connections and other mechanical accessories.

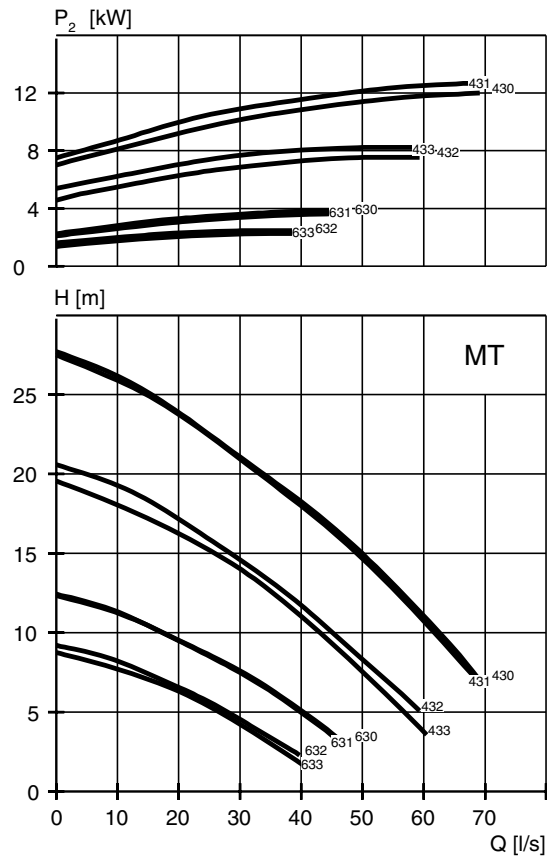
Electrical accessories such as pump controller, control panels, starters, monitoring relays, cables.

See separate booklet or www.ittwww.com, for further information.

MT-Motor rating and performance curve

Curve/Impeller No	Rated power, kW	Rated current, A	Starting current, A	Power factor $\cos \varphi$	Ex proof version available	Installation				
						S				
400 V, 50 Hz, 3 ~, 1450 r/min										
430	13.5	28	150	0,82	Yes	•				
431	13.5	28	150	0,82	Yes	•				
432	7,5	16	107	0,76	Yes	•				
432	12,1	11	62	0,76	Yes	•				
432	13,5	28	150	0,82	Yes	•				
433	12,1	11	62	0,76	Yes	•				
433	13,5	28	150	0,82	Yes	•				
400 V, 50 Hz, 3 ~, 970 r/min										
630	9,0	12	52	0,72	Yes	•				
631	9,0	21	90	0,72	Yes	•				
632	9,0	12	52	0,72	Yes	•				
633	9,0	12	52	0,72	Yes	•				

Y/D starting current is approximately 1/3 of D starting current.

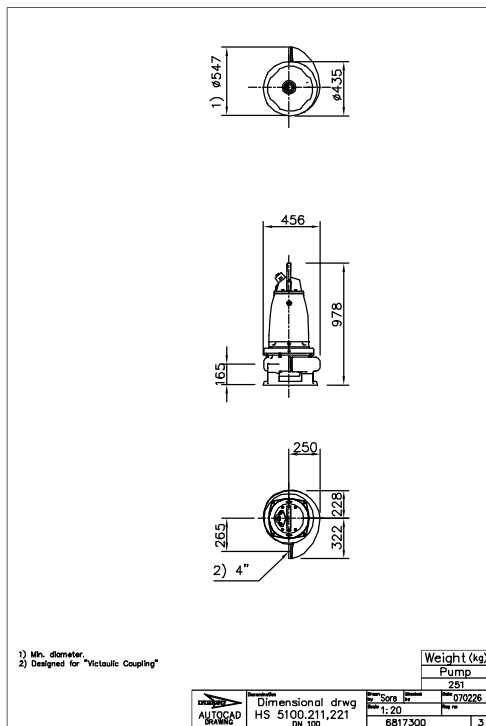


Dimensional drawing

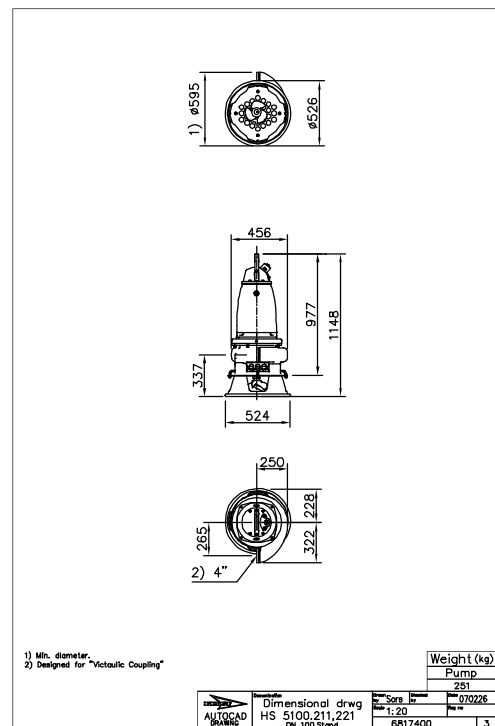
All drawings are available as Acrobat documents (.pdf) and AutoCad drawings (.dwg). Download the drawings from www.ittwww.com or contact your ITT Flygt representative for more information.

All dimensions are in mm.

MT, S-installation



MT, S-installation with agitator





What can ITT Water & Wastewater do for you?

Integrated solutions for fluid handling are offered by ITT Water & Wastewater as a world leader in transport and treatment of wastewater. We provide a complete range of water, wastewater and drainage pumps, equipment for monitoring and control, units for primary and secondary biological treatment, products for filtration and disinfection, and related services. ITT Water & Wastewater, headquartered in Sweden, operates in some 140 countries across the world, with own plants in Europe, China and North and South America. The company is wholly owned by the ITT Corporation of White Plains, New York, supplier of advanced technology products and services.



Visit our Web site for the latest version of this document and more information
www.ittwww.com

ITT Water & Wastewater AB
SE-174 87 Sundbyberg
Sweden

Visiting address:
Gesällvägen 33
Sundbyberg
Sweden

Tel. +46 8 475 60 00
Fax +46 8 475 69 00