



ITT

Water & Wastewater

Technical Specification

Flygt H5100.251, 50 Hz



Engineered for life



H 5100.251

Product

Submersible pump for pumping water containing abrasive particles, sludge, ground water, slurries.

Denomination

| | |
|--------------------------|----------|
| Product code | 5100.251 |
| Installation | S |
| Impeller characteristics | MT |

Process data

| | |
|-----------------------------|----------------------------|
| Liquid temperature | max +40 °C |
| Depth of immersion | max 20 m |
| The pH of the pumped liquid | pH 5,5-14 |
| Liquid density | depending on impeller size |
| Impeller throatlet | 40 mm |

Motor data

| | |
|----------------------------------|-------------|
| Frequency | 50 Hz |
| Insulation class | H (+180 °C) |
| Voltage variation | |
| - continuously running | max ± 5% |
| - intermittent running | max ± 10% |
| Voltage imbalance between phases | max 2% |
| No. of starts/hour | max 30 |

Cable

Direct-on-line start

| | |
|---------|-----------------------------|
| SUBCAB® | 4G2,5+2x1,5 mm ² |
| SUBCAB® | 4G4+2x1,5 mm ² |
| SUBCAB® | 4G6+2x1,5 mm ² |

| | |
|------------------|-----------------------------|
| SUBCAB® | 4G10+2x1,5 mm ² |
| SUBCAB® | 4G16+2x1,5 mm ² |
| Y/D start | |
| SUBCAB® | 7G2,5+2x1,5 mm ² |
| SUBCAB® | 7G4+2x1,5 mm ² |
| SUBCAB® | 7G6+2x1,5 mm ² |

Monitoring equipment

| | |
|--------------------------------------|--------|
| Thermal contacts opening temperature | 140° C |
| Leakage sensor in inspection chamber | FLS |

Material

| | |
|----------------|-----------------|
| Impeller | Hard Iron™ |
| Pump housing | Hard Iron™ |
| Stator housing | Cast iron |
| Shaft | Stainless steel |

O-rings

| Alternative | Material |
|-------------|--------------------|
| 1 | Nitrile rubber |
| 2 | Fluorinated rubber |

Mechanical face seals

| Alternative | Inner seal | Outer seal |
|-------------|--|--|
| 1 | 2 x Corrosion resistant cemented carbide | 2 x Corrosion resistant cemented carbide |
| 2 | Aluminium oxide/Corrosion resistant cemented carbide | 2 x Reaction bonded silicon carbide |

Surface Treatment

All cast parts are primed with a water-borne primer. The finishing coat is a high-solid two pack paint.

Weight

See dimensional drawing.

Option

| | |
|---------------------|------------------|
| 5100.261 | Ex. proof design |
| Warm liquid version | |
| Surface treatment | Epoxy treatment |
| Screened cables | |
| Zinc anodes | |

Accessories

Adapters, hose connections and other mechanical accessories.

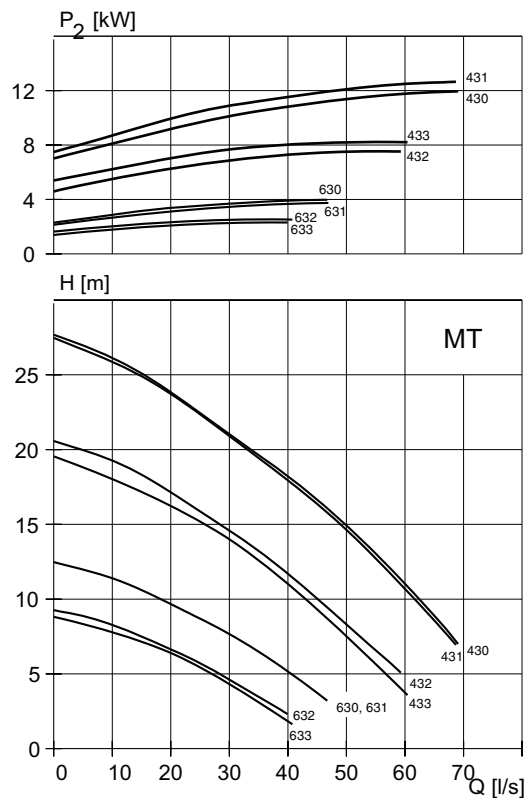
Electrical accessories such as pump controller, control panels, starters, monitoring relays, cables.

See separate booklet or www.ittwww.com, for further information.

MT-Motor rating and performance curve

| Curve/Impeller No | Rated power, kW | Rated current, A | Starting current, A | Power factor cos ϕ | Ex proof version available | Installation | | | | |
|--------------------------------------|-----------------|------------------|---------------------|-------------------------|----------------------------|--------------|--|--|--|--|
| | | | | | | S | | | | |
| 400 V, 50 Hz, 3 ~, 1460 r/min | | | | | | | | | | |
| 430 | 15 | 30 | 178 | 0,84 | Yes | • | | | | |
| 430 | 18,5 | 36 | 223 | 0,85 | Yes | • | | | | |
| 430 | 22 | 41 | 248 | 0,88 | Yes | • | | | | |
| 431 | 15 | 30 | 178 | 0,84 | Yes | • | | | | |
| 431 | 18,5 | 36 | 223 | 0,85 | Yes | • | | | | |
| 431 | 22 | 41 | 248 | 0,88 | Yes | • | | | | |
| 432 | 15 | 30 | 178 | 0,84 | Yes | • | | | | |
| 432 | 18,5 | 36 | 223 | 0,85 | Yes | • | | | | |
| 432 | 22 | 41 | 248 | 0,88 | Yes | • | | | | |
| 433 | 15 | 30 | 178 | 0,84 | Yes | • | | | | |
| 433 | 18,5 | 36 | 223 | 0,85 | Yes | • | | | | |
| 433 | 22 | 41 | 248 | 0,88 | Yes | • | | | | |
| 400 V, 50 Hz, 3 ~, 965 r/min | | | | | | | | | | |
| 630 | 15 | 30 | 167 | 0,84 | Yes | • | | | | |
| 631 | 15 | 30 | 167 | 0,84 | Yes | • | | | | |
| 632 | 15 | 30 | 167 | 0,84 | Yes | • | | | | |
| 633 | 15 | 30 | 167 | 0,84 | Yes | • | | | | |

Y/D starting current is approximately 1/3 of D starting current.

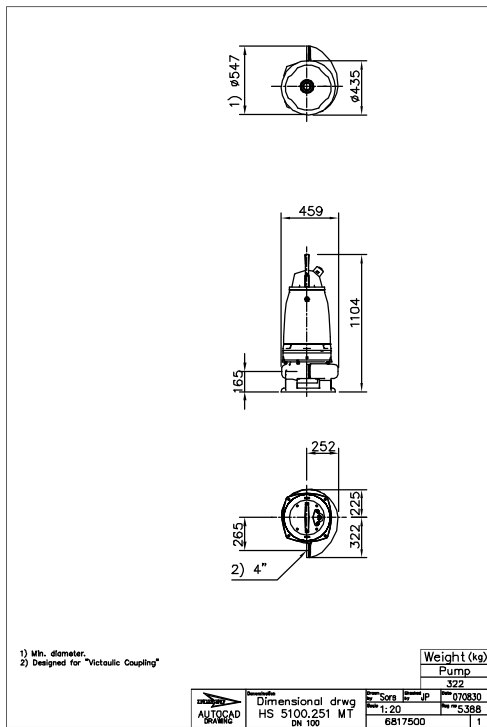


Dimensional drawing

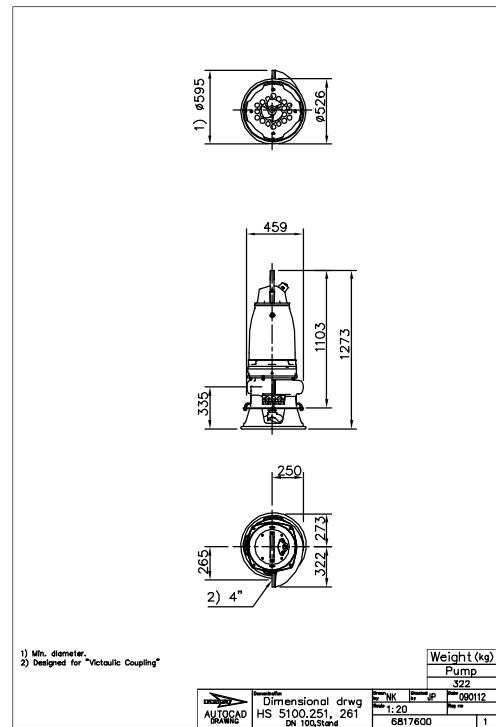
All drawings are available as Acrobat documents (.pdf) and AutoCad drawings (.dwg). Download the drawings from www.ittwww.com or contact your ITT Flygt representative for more information.

All dimensions are in mm.

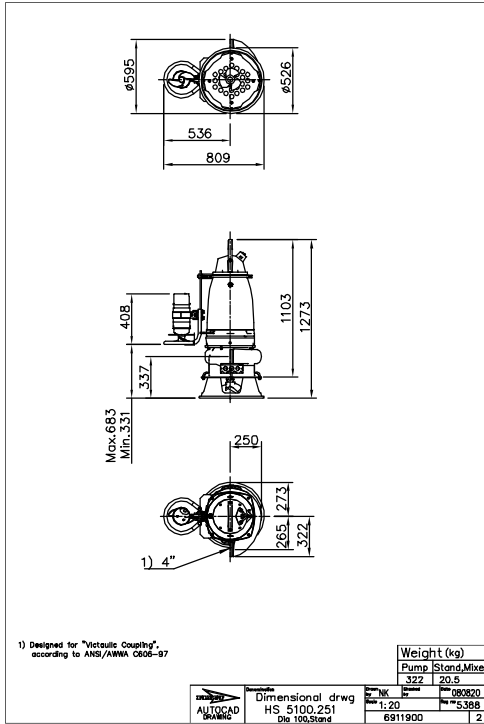
MT, S-installation



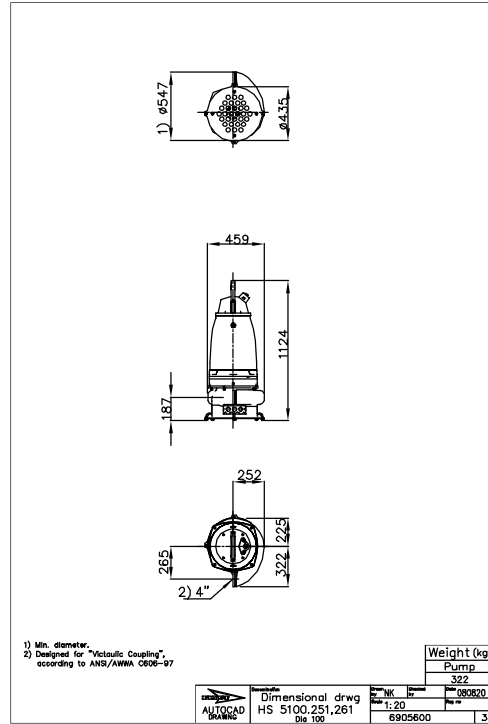
MT, S-installation with agitator



MT, S-installation with agitator and side mounted mixer



MT, S-installation





What can ITT Water & Wastewater do for you?

Integrated solutions for fluid handling are offered by ITT Water & Wastewater as a world leader in transport and treatment of wastewater. We provide a complete range of water, wastewater and drainage pumps, equipment for monitoring and control, units for primary and secondary biological treatment, products for filtration and disinfection, and related services. ITT Water & Wastewater, headquartered in Sweden, operates in some 140 countries across the world, with own plants in Europe, China and North and South America. The company is wholly owned by the ITT Corporation of White Plains, New York, supplier of advanced technology products and services.



WEDECO



Visit our Web site for the latest version of this document and more information
www.ittwww.com

ITT Water & Wastewater AB
SE-174 87 Sundbyberg
Sweden

Visiting address:
Gesällvägen 33
Sundbyberg
Sweden

Tel. +46 8 475 60 00
Fax +46 8 475 69 00