



**ITT**

Water & Wastewater

---

# Technical Specification

**Flygt H5100.300, 50 Hz**



*Engineered for life*





# H 5100.300

## Product

Submersible pump for pumping water containing abrasive particles, sludge, ground water, slurries.

## Denomination

Product code	5100.300
Installation	S
Impeller characteristics	MT

## Process data

Liquid temperature	max +40 °C
Depth of immersion	max 20 m
The pH of the pumped liquid	pH 5,5-14
Liquid density	depending on impeller size
Impeller throatlet	40 mm

## Motor data

Frequency	50 Hz
Insulation class	H (+180 °C)
Voltage variation	
- continuously running	max ± 5%
- intermittent running	max ± 10%
Voltage imbalance between phases	max 2%
No. of starts/hour	max 30

## Direct-on-line start

SUBCAB®	4G4+2x1,5 mm <sup>2</sup>
SUBCAB®	4G6+2x1,5 mm <sup>2</sup>
SUBCAB®	4G10+2x1,5 mm <sup>2</sup>
SUBCAB®	4G16+2x1,5 mm <sup>2</sup>
SUBCAB®	4G25+2x1,5 mm <sup>2</sup>
SUBCAB®	4G35+2x1,5 mm <sup>2</sup>

## Y/D start

SUBCAB®	7G2,5+2x1,5 mm <sup>2</sup>
SUBCAB®	7G4+2x1,5 mm <sup>2</sup>
SUBCAB®	7G6+2x1,5 mm <sup>2</sup>

## Monitoring equipment

Thermal contacts opening temperature	140° C
Leakage sensor in inspection chamber	FLS

## Material

Impeller	Hard Iron™
Pump housing	Hard Iron™
Stator housing	Cast iron
Shaft	Stainless steel

## O-rings

Alternative	Material
1	Nitrile rubber
2	Fluorinated rubber

## Mechanical face seals

Alternative	Inner seal	Outer seal
1	2 x Corrosion resistant cemented carbide	2 x Corrosion resistant cemented carbide
2	Aluminium oxide/Corrosion resistant cemented carbide	2 x Reaction bonded silicon carbide

## Surface Treatment

All cast parts are primed with a water-borne primer. The finishing coat is a high-solid two pack paint.

## Weight

See dimensional drawing.

## Option

5100.310	Ex. proof design
Warm liquid version	
Surface treatment	Epoxy treatment
Screened cables	
Zinc anodes	

## Accessories

Adapters, hose connections and other mechanical accessories.

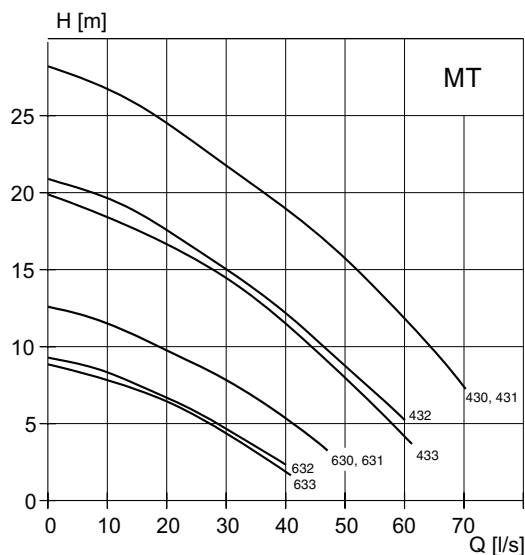
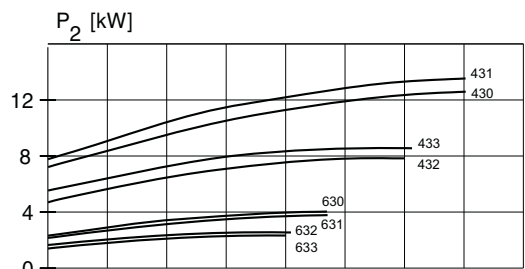
Electrical accessories such as pump controller, control panels, starters, monitoring relays, cables.

See separate booklet or [www.ittwww.com](http://www.ittwww.com), for further information.

# MT-Motor rating and performance curve

Curve/Impeller No	Rated power, kW	Rated current, A	Starting current, A	Power factor cos φ	Ex proof version available	Installation				
						S				
<b>400 V, 50 Hz, 3 ~, 1450 r/min</b>										
430	30	54	360	0,88	Yes	•				
430	37	66	460	0,88	Yes	•				
430	45	82	605	0,86	Yes	•				
431	30	54	360	0,88	Yes	•				
431	37	66	460	0,88	Yes	•				
431	45	82	605	0,86	Yes	•				
432	30	54	360	0,88	Yes	•				
432	37	66	460	0,88	Yes	•				
432	45	82	605	0,86	Yes	•				
433	37	66	460	0,88	Yes	•				
433	30	54	360	0,88	Yes	•				
433	45	82	605	0,86	Yes	•				
<b>400 V, 50 Hz, 3 ~, 970 r/min</b>										
630	30	59	320	0,83	Yes	•				
630	37	41	410	0,83	Yes	•				
631	30	59	320	0,83	Yes	•				
631	37	41	410	0,83	Yes	•				
632	30	59	320	0,83	Yes	•				
632	37	41	410	0,83	Yes	•				
633	30	59	320	0,83	Yes	•				
633	37	41	410	0,83	Yes	•				

Y/D starting current is approximately 1/3 of D starting current.

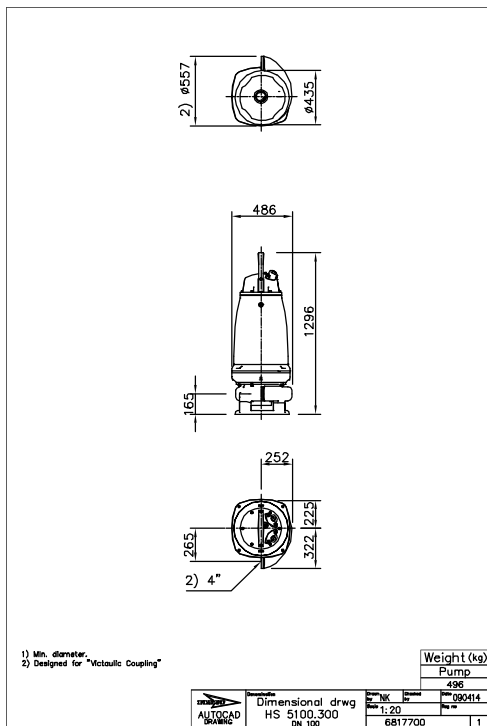


## Dimensional drawing

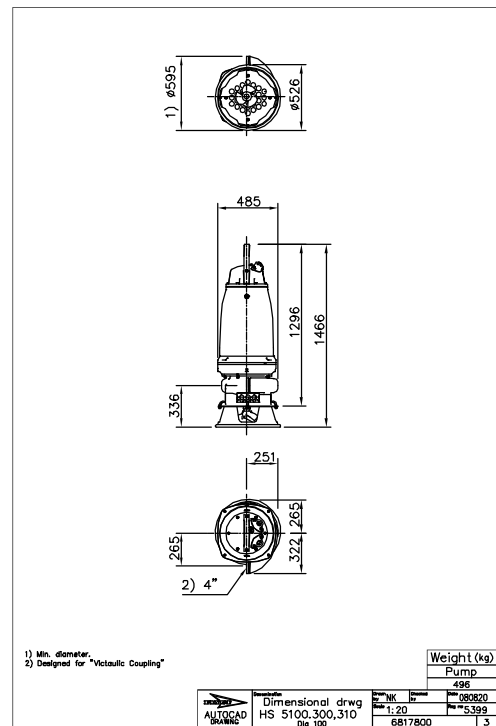
All drawings are available as Acrobat documents (.pdf) and AutoCad drawings (.dwg). Download the drawings from [www.ittwww.com](http://www.ittwww.com) or contact your ITT Flygt representative for more information.

All dimensions are in mm.

### MT, S-installation



### MT, S-installation with agitator









### **What can ITT Water & Wastewater do for you?**

Integrated solutions for fluid handling are offered by ITT Water & Wastewater as a world leader in transport and treatment of wastewater. We provide a complete range of water, wastewater and drainage pumps, equipment for monitoring and control, units for primary and secondary biological treatment, products for filtration and disinfection, and related services. ITT Water & Wastewater, headquartered in Sweden, operates in some 140 countries across the world, with own plants in Europe, China and North and South America. The company is wholly owned by the ITT Corporation of White Plains, New York, supplier of advanced technology products and services.



Visit our Web site for the latest version of this document and more information  
[www.ittwww.com](http://www.ittwww.com)

---

ITT Water & Wastewater AB  
SE-174 87 Sundbyberg  
Sweden

Visiting address:  
Gesällvägen 33  
Sundbyberg  
Sweden

Tel. +46 8 475 60 00  
Fax +46 8 475 69 00