



Technical Specification

Submersible pump H5150.300/310, 50 Hz



Flygt





H 5150.300

Product

Submersible pump for pumping water containing abrasive particles, sludge, ground water and slurries.

Denomination

Product code 5150.300
Installation S

Process data

Liquid temperature-standard max +40 °C
Depth of immersion max 20 m
The pH of the pumped liquid pH 5,5-14
Liquid density depending on impeller size
Strainer throughlet 36 mm

Motor data

Frequency 50 Hz
Insulation class H (+180° C)
Voltage variation
- continuously running max ± 5%
- intermittent running max ± 10%
Voltage imbalance between phases max 2%
No. of starts/hour max 30

Cable

Direct-on-line start

SUBCAB® 4G4+2x1,5 mm²
SUBCAB® 4G6+2x1,5 mm²
SUBCAB® 4G10+2x1,5 mm²
SUBCAB® 4G16+2x1,5 mm²

SUBCAB® 4G25+2x1,5 mm²
SUBCAB® 4G35+2x1,5 mm²
Y/D start
SUBCAB® 7Gx2,5+2x1,5 mm²
SUBCAB® 7Gx4+2x1,5 mm²
SUBCAB® 7Gx6+2x1,5 mm²

Monitoring equipment

Thermal contacts opening temperature 140° C
Leakage sensor in inspection chamber FLS

Material

Impeller Alloyed white iron
Pump housing Alloyed white iron
Stator housing Cast iron
Shaft Stainless steel

O-rings

Alternative	Material
1	Nitrile rubber
2	Fluorinated rubber

Mechanical face seals

Alternative	Inner seal	Outer seal
1	2 x Corrosion resistant cemented carbide	2 x Corrosion resistant cemented carbide
2	2 x Corrosion resistant cemented carbide	Reaction bonded silicon carbide

Surface Treatment

All cast parts are primed with a water-borne primer. The finishing coat is a high-solid two pack paint.

Weight

See dimensional drawing.

Option

5150.310 Ex. proof design
Warm liquid version on request
Other cables
Zinc anodes

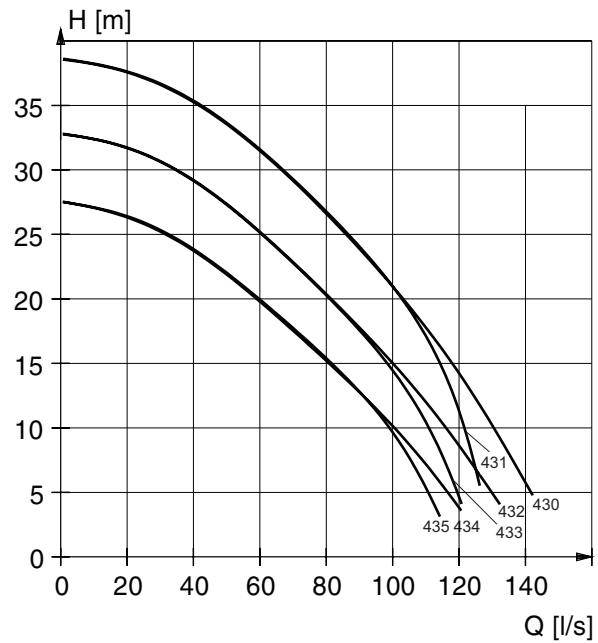
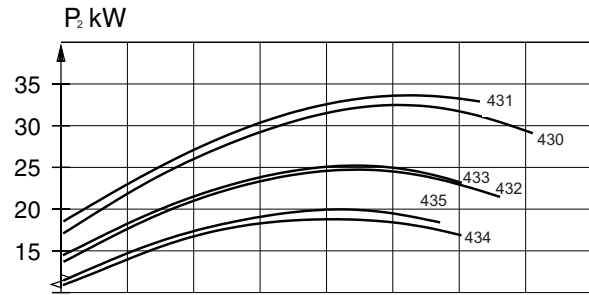
Accessories

Hose connections and other mechanical accessories.
Electrical accessories such as pump controller, control panels, starters, monitoring relays, cables.
See separate booklet or int.flygt.com, for further information.

Motor rating and performance curve

Curve/Impeller No.	Rated power, kW	Rated current, A	Starting current, A	Power factor cos φ	Ex proof version available	Installation				
						S				
400 V, 50 Hz, 3 ~, 1475 r/min										
432	30	54	360	0,88	Yes	•				
433	30	54	360	0,88	Yes	•				
434	30	54	360	0,88	Yes	•				
435	30	54	360	0,88	Yes	•				
400 V, 50 Hz, 3 ~, 1475 r/min										
430	37	66	460	0,88	Yes	•				
431	37	66	460	0,88	Yes	•				
432	37	66	460	0,88	Yes	•				
433	37	66	460	0,88	Yes	•				
434	37	66	460	0,88	Yes	•				
435	37	66	460	0,88	Yes	•				
400 V, 50 Hz, 3 ~, 1475 r/min										
430	45	82	605	0,86	Yes	•				
431	45	82	605	0,86	Yes	•				
432	45	82	605	0,86	Yes	•				
433	45	82	605	0,86	Yes	•				
434	45	82	605	0,86	Yes	•				
435	45	82	605	0,86	Yes	•				

Y/D starting current is approximately 1/3 of D starting current.



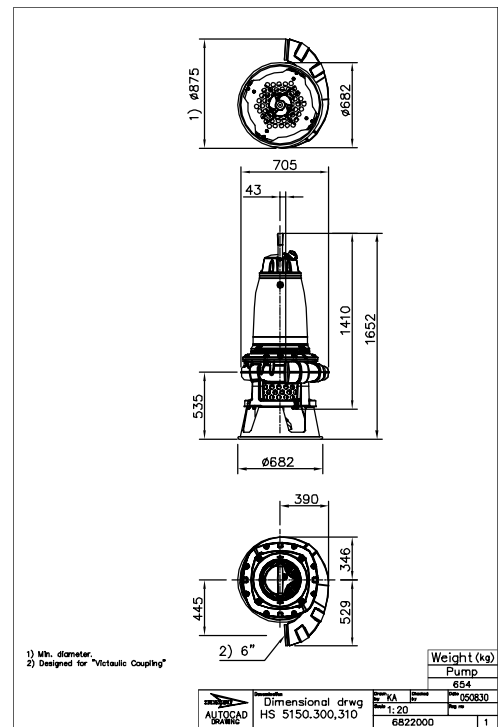
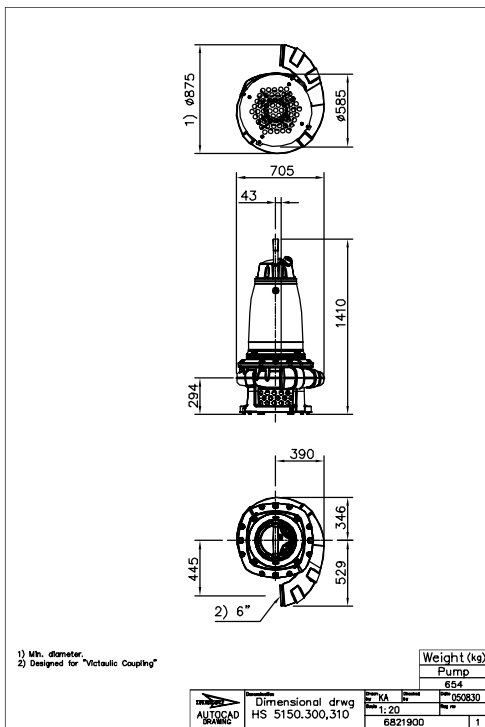
Dimensional drawing

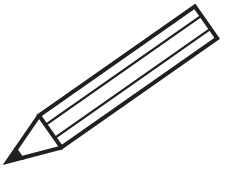
All drawings are available as Acrobat documents (.pdf) and AutoCad drawings (.dwg). Download the drawings from int.flygt.com or contact your ITT Flygt representative for more information.

All dimensions are in mm

S-installation

S-installation







www.flygt.com