



Technical Specification

Submersible pump H 5150.350/360, 50 Hz



Flygt



ITT Industries



H 5150.350

Product

Submersible pump for pumping water containing abrasive particles, sludge, ground water and slurries.

Denomination

Product code 5150.350
Installation S

Process data

Liquid temperature-standard max +40 °C
Depth of immersion max 20 m
The pH of the pumped liquid pH 5,5-14
Liquid density depending on impeller size
Strainer throughlet 36 mm

Motor data

Frequency 50 Hz
Insulation class H (+180° C)
Voltage variation
- continuously running max ± 5%
- intermittent running max ± 10%
Voltage imbalance between phases max 2%
No. of starts/hour max 30

Cable

Direct-on-line start

SUBCAB® 4G4+2x1,5 mm²
SUBCAB® 4G6+2x1,5 mm²
SUBCAB® 4G10+2x1,5 mm²
SUBCAB® 4G16+2x1,5 mm²

SUBCAB® 4G25+2x1,5 mm²
SUBCAB® 4G35+2x1,5 mm²
Y/D start
SUBCAB® 7G2,5+2x1,5 mm²
SUBCAB® 7G4+2x1,5 mm²
SUBCAB® 7G6+2x1,5 mm²

Monitoring equipment

Thermal contacts opening temperature 140° C
Leakage sensor in inspection chamber FLS

Material

Impeller Alloyed white iron
Pump housing Alloyed white iron
Stator housing Cast iron
Shaft Stainless steel

O-rings

Alternative	Material
1	Nitrile rubber
2	Fluorinated rubber

Mechanical face seals

Alternative	Inner seal	Outer seal
1	2 x Corrosion resistant cemented carbide	2 x Corrosion resistant cemented carbide
2	2 x Corrosion resistant cemented carbide	Reaction bonded silicon carbide

Surface Treatment

All cast parts are primed with a water-borne primer. The finishing coat is a high-solid two pack paint.

Weight

See dimensional drawing.

Option

5150.360 Ex. proof design
Warm liquid version on request
Surface treatment Epoxy treatment
Other cables
Zinc anodes

Accessories

Hose connections and other mechanical accessories.

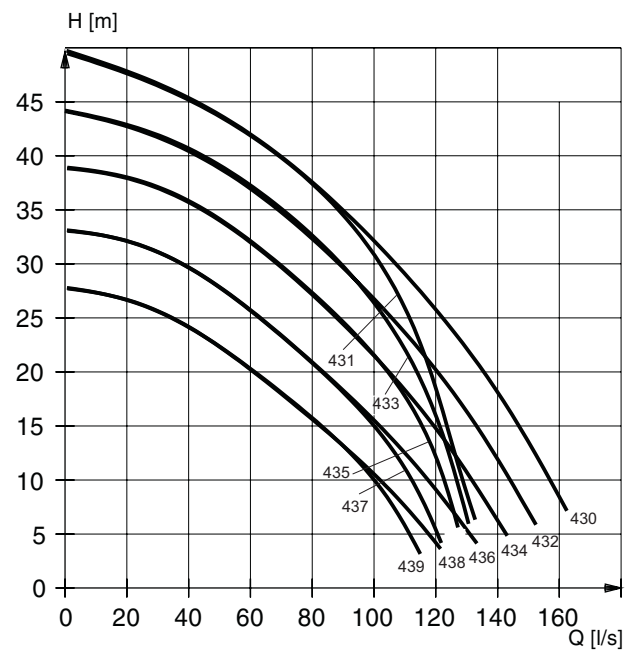
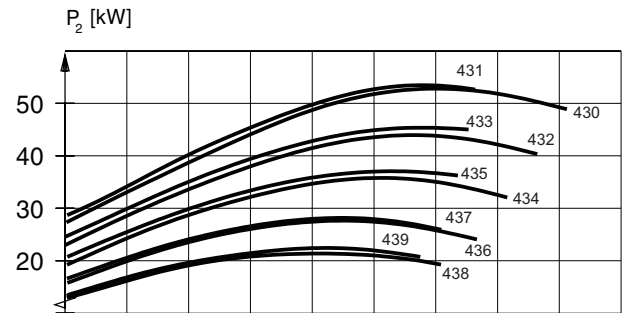
Electrical accessories such as pump controller, control panels, starters, monitoring relays, cables.

See separate booklet or int.flygt.com, for further information.

Motor rating and performance curve

Curve/Impeller No	Rated power, HP	Rated current, A	Starting current, A	Power factor cos φ	Ex proof version available	Installation				
						S				
400 V, 50 Hz, 3 ~, 1475 r/min										
430	55	103	435	0,84	Yes	•				
431	55	103	435	0,84	Yes	•				
432	55	103	435	0,84	Yes	•				
433	55	103	435	0,84	Yes	•				
434	55	103	435	0,84	Yes	•				
435	55	103	435	0,84	Yes	•				
436	55	103	435	0,84	Yes	•				
437	55	103	435	0,84	Yes	•				
438	55	103	435	0,84	Yes	•				
439	55	103	435	0,84	Yes	•				
400 V, 50 Hz, 3 ~, 1475 r/min										
430	70	127	800	0,86	Yes	•				
431	70	127	800	0,86	Yes	•				
432	70	127	800	0,86	Yes	•				
433	70	127	800	0,86	Yes	•				
434	70	127	800	0,86	Yes	•				
435	70	127	800	0,86	Yes	•				
436	70	127	800	0,86	Yes	•				
437	70	127	800	0,86	Yes	•				
438	70	127	800	0,86	Yes	•				
439	70	127	800	0,86	Yes	•				

Y/D starting current is approximately 1/3 of D starting current.

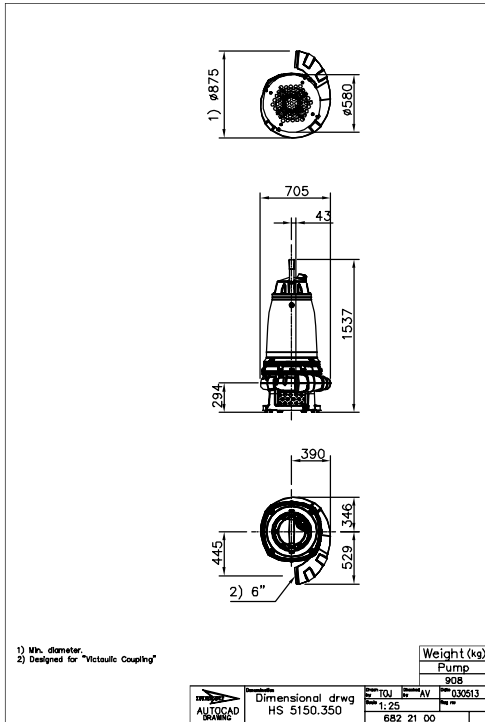


Dimensional drawing

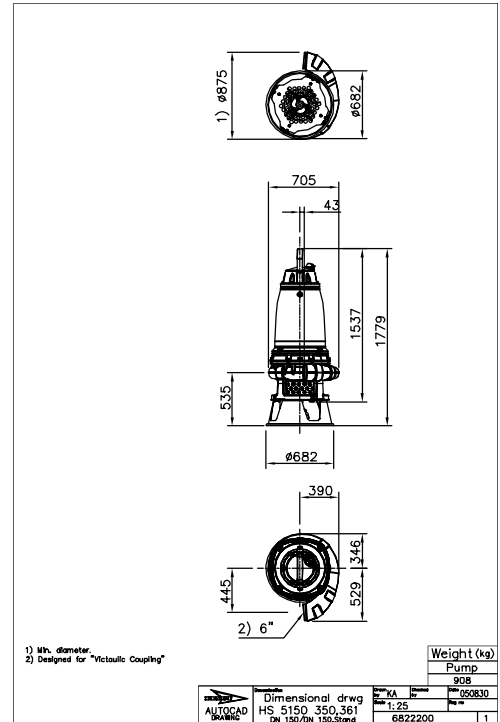
All drawings are available as Acrobat documents (.pdf) and AutoCad drawings (.dwg). Download the drawings from int.flygt.com or contact your ITT Flygt representative for more information.

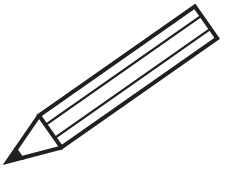
All dimensions are in mm.

S-installation



S-installation







www.flygt.com