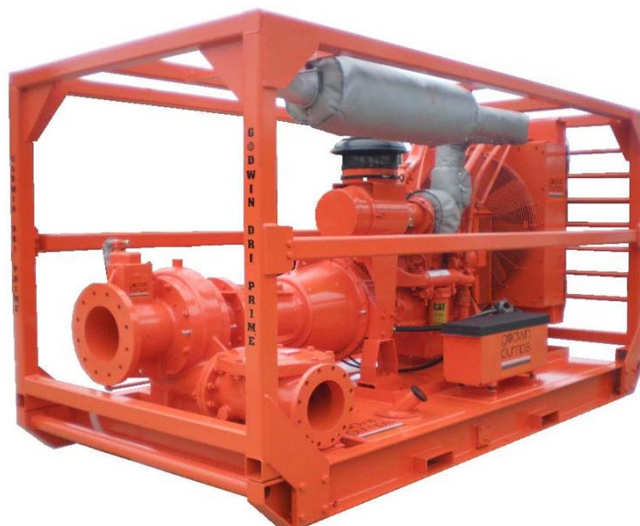


HL250M Dri-Prime® Pump

HL250M

The Godwin Dri-Prime® HL250M pump is an extremely powerful yet compact pump with flow capabilities to 1,224 m³/hr and discharge heads to 118 metres.

The HL250M features the unique Godwin high pressure oil bath mechanical seal design. This allows for dry running for prolonged periods while automatically priming and repriming. Able to perform in the toughest conditions, the HL250M can handle solids up to 65 mm in diameter. This makes it an extremely effective pump, suitable for both slurry and clean water applications. The powerful HL250M has proven itself a pump of choice for mines, quarries and many other high capacity applications.



Features

- Fully automatic priming from dry to 8.5 metres suction lift.
- Godwin Dri-Prime® is a continuously operated Venturi air ejector priming device which requires no periodic adjustment or control.
- Extensive application flexibility. It will handle sewage, slurries and liquids with solids up to 65 mm in diameter.
- Dry-running high pressure oil bath mechanical seal, with high abrasion resistant silicon carbide faces.
- A Close-coupled centrifugal pump with Godwin Dri-Prime® system mounted to a diesel engine or electric drive.
- All cast iron construction (stainless steel construction option available) with cast steel impeller.
- Also available as hushpac or as a bareshaft pumpend.
- Standard build engines: Caterpillar C15, Volvo TAD1251VE, Volvo TAD951VE. Other engine options are available.

Specifications

Suction connection	300 mm (12" BS10 Table 'D')
Delivery connection	250 mm (BS EN 1092 PN16)
Max capacity	1224 m ³ /hr
Max Head	118 metres
Max Solids handling	65 mm
Max Impeller diameter	440 mm
Max operating temp	80 °C
Max working pressure	13.0 bar
Max suction pressure	6.0 bar
Max casing pressure	19.5 bar
Max operating speed	2000 rpm

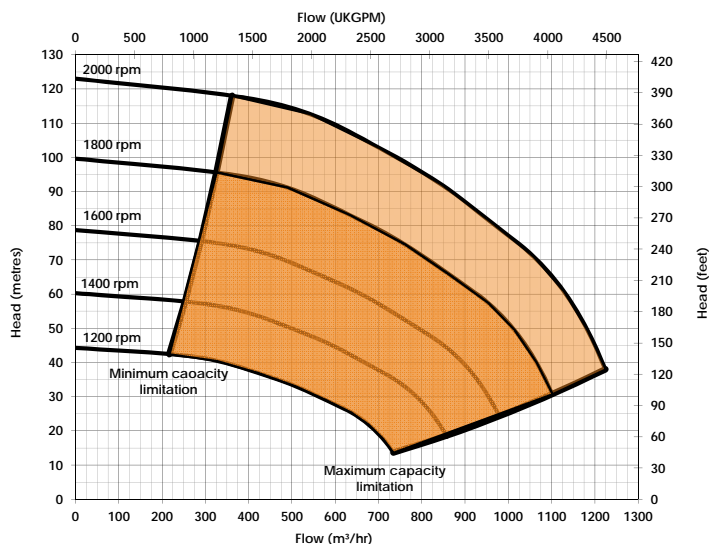
godwin 
a xylem brand

Great Pumps. Great People.®

Reference number : 95-1114-1000
Date of issue : 04 May 2012
Issue : 10

Please contact the factory or office for further details.
A typical picture of the pump is shown.
All information is approximate and for general guidance only.

Performance Curve



Materials

Pump casing & suction cover	Cast iron BS1452:1990 Grade 220
Wearplates	Cast Iron - Chrome 1.0/1.5% Nickle 2%
Pump Shaft	Nickel Chrome Steel to BS970-1:1991 Grade 817M40T EN24T
Impeller	Cast Steel BS3100 A5 Hardness to 200 HB Brinell
Non-return Valve body	Cast Iron
Mechanical Seal Faces	Silicon carbide vs silicon carbide

Engine option 1

Caterpillar, C15, 315.0 kW @ 2000 rpm

Impeller diameter 440 mm

Suction Lift Table

Total Suction Head (metres)	Total Delivery Head (metres)				
	38	53	76	96	114
3.0	1215	1150	975	760	450
4.6	1200	1142	950	750	375
6.1	1100	1050	952	720	330
7.6	875	850	800	683	-

Fuel capacity (Full) 685 litres, (Usable) 555 litres

Fuel consumption @ 2000 rpm BEP 77 litres/hour

Weight: (Dry) 5,700 kg, (Wet) 6,330 kg

Dimensions: (L) 4,000 x (W) 1,950 x (H) 2,220 mm

Engine option 2

Volvo, TAD1251VE, 269.0 kW @ 1800 rpm

Impeller diameter 440 mm

Suction Lift Table

Total Suction Head (metres)	Total Delivery Head (metres)				
	28	41	59	75	90
3.0	1094	1035	878	684	405
4.6	1080	1028	855	675	338
6.1	990	945	857	648	297
7.6	788	765	720	615	-

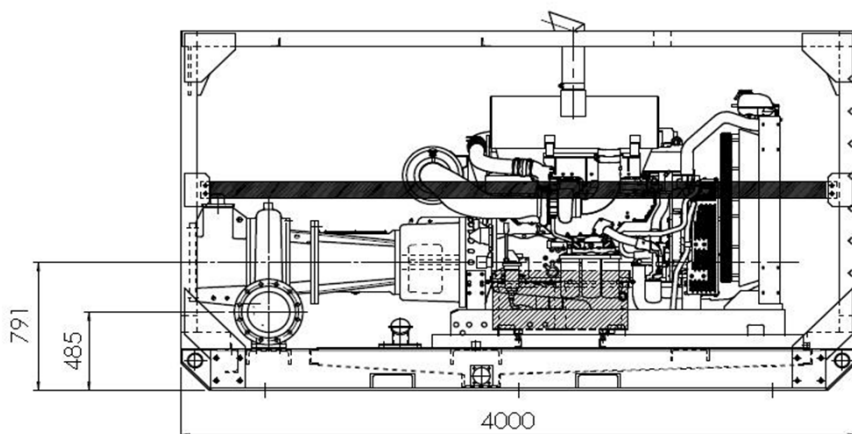
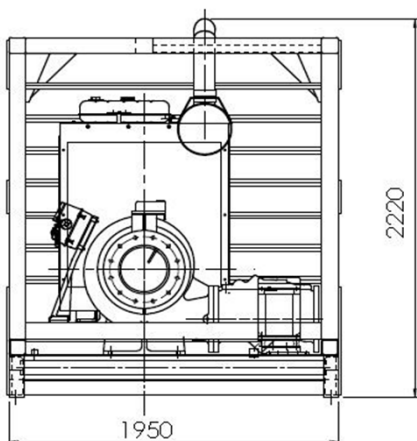
Fuel capacity (Full) 685 litres, (Usable) 555 litres

Fuel consumption @ 1800 rpm BEP 57 litres/hour

Weight: (Dry) 5,200 kg, (Wet) 5,850 kg

Dimensions: (L) 4,000 x (W) 1,950 x (H) 2,220 mm

HL250M - Volvo TAD1251VE



Great Pumps. Great People.®

Performance data provided in tables is based on water tests at sea level and 20°C ambient.

All information is approximate and for general guidance only.

Please contact the factory or office for further details.

Reference number : 95-1114-1000

Date of issue : 04 May 2012

Issue : 10

Xylem Dewatering Solutions
 Quenington, Cirencester
 Gloucestershire GL7 5BX, England
 Tel: 01285 750271 Fax: 01285 750352
 Website: www.godwinpumps.co.uk
 E-mail: sales@godwinpumps.co.uk

godwin 
 a xylem brand



Specifications and illustrations are subject to revision without notice. Xylem Dewatering Solutions is not liable for any incompleteness or inaccuracies. Xylem Dewatering Solutions is not liable for any consequential, incidental or indirect damages relating to these specifications or their use.

Assessed to ISO 9001:2008
 Certificate No: 1027