

---

E7556

---



---

# Table of Contents

1 Introduction.....	2
2 Product Description.....	3
2.1 The data plate.....	3
2.2 Product denomination.....	3
3 Parts.....	5
3.1 Turbine E7556.....	5

# 1 Introduction

## Purpose of this manual

The purpose of this manual is to provide necessary information on spare parts and accessories order.

## Disclaimer

Always use genuine Flygt parts. The use of other spare parts or accessories can invalidate any claims for warranty or compensation. Xylem does not take any responsibility for damages that are caused by the use of non-original parts. For more information, contact your local sales and service representative.

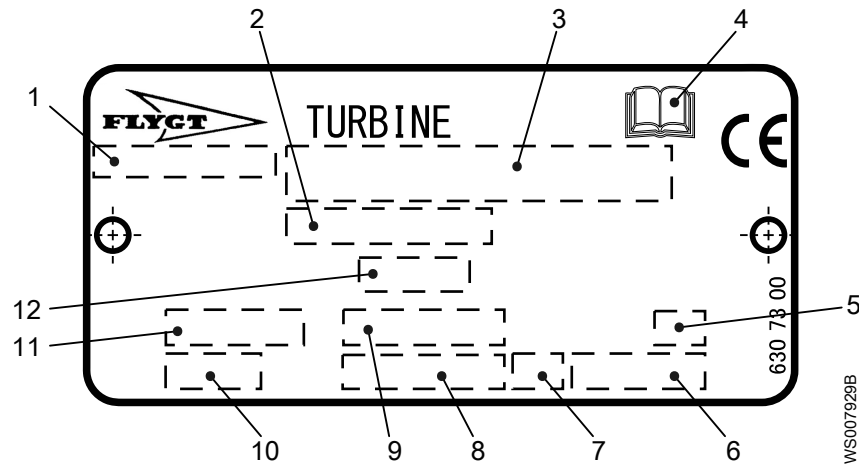
## Data for ordering spare parts

The following information is needed for spare part orders:

- Serial number of the product
- Part number
- Quantity of bulk material, see \* in tables

# 2 Product Description

## 2.1 The data plate



1. Country of origin
2. Product number
3. Serial number
4. Read the care and maintenance instructions
5. Blade angle
6. Product weight: generator + turbine + gear (if applicable)
7. Direction of rotation: runner/generator
8. Rated speed
9. Blade angle interval
10. Turbine housing
11. Turbine column diameter
12. Runner code

## 2.2 Product denomination

### Reading instruction

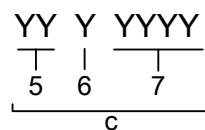
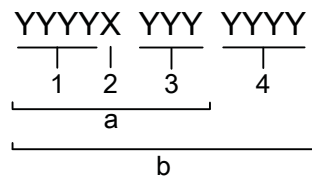
In this section, code characters are illustrated accordingly:

X = letter

Y = digit

The different types of codes are marked up with a, b, and c. Code parameters are marked up with numbers.

### Codes and parameters



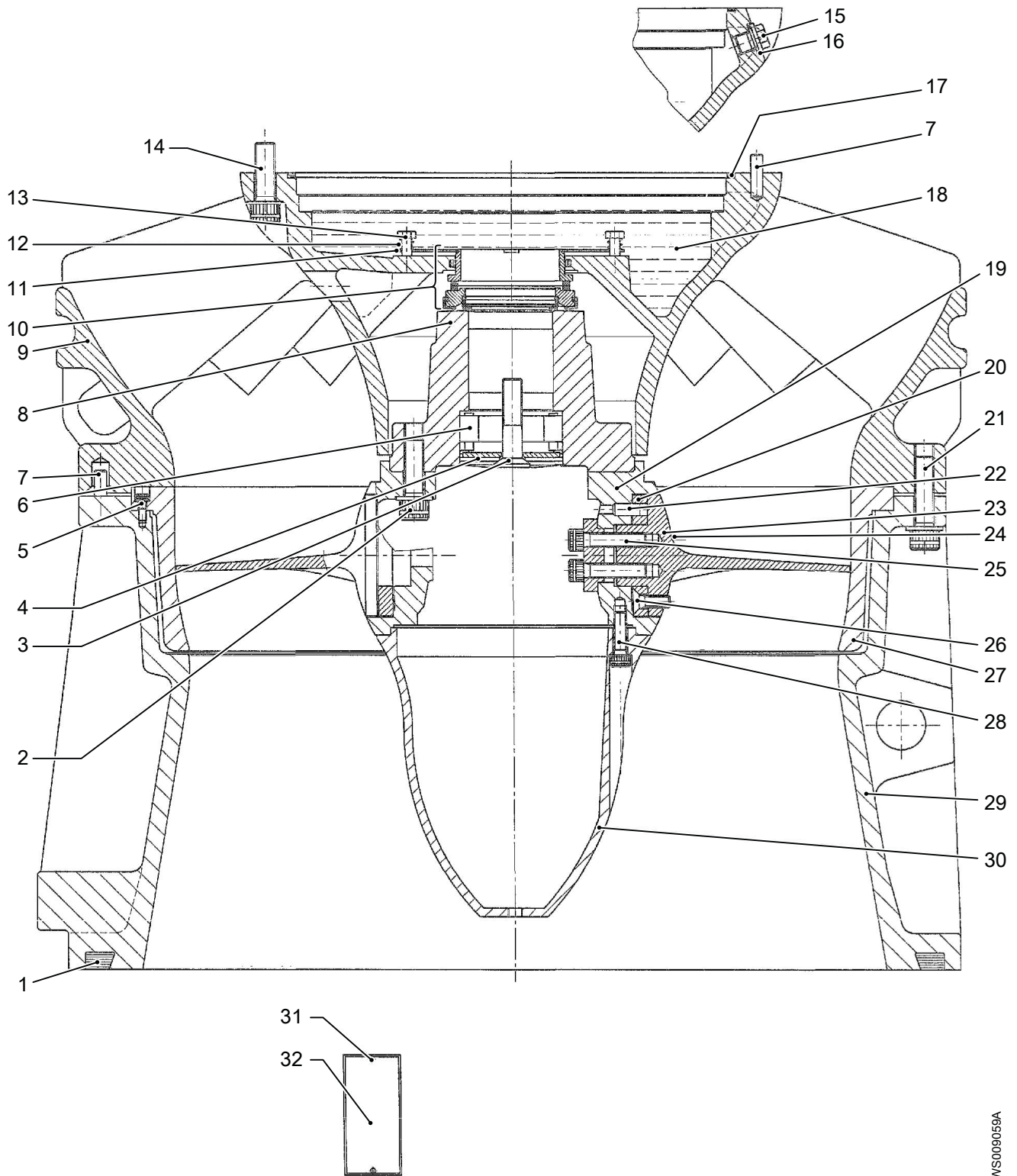
WS007962A

Type of Callout	Number	Indication
Type of code	a	Product code
	b	Product number
	c	Serial number

Type of Callout	Number	Indication
Parameter	1	Turbine unit
	2	"R" (only for adjustable-blade hydroturbines)
	3	Generator unit
	4	Sequence number
	5	Production year
	6	Production cycle
	7	Running number

# 3 Parts

## 3.1 Turbine E7556



WS000059A

Item	Denomination	Part No.	Qty.
1	G-ring	82 83 47	1

Item	Denomination		Part No.	Qty.
2	Screw	Torque: 160 Nm (118 ft-lb)	83 03 72	<ul style="list-style-type: none"> <li>• 4 for runner with four blades</li> <li>• 5 for runner with five blades</li> </ul>
	Washer		82 35 78	<ul style="list-style-type: none"> <li>• 4 for runner with four blades</li> <li>• 5 for runner with five blades</li> </ul>
3	Screw	Torque: 50 Nm (37 ft-lb)	82 13 95	1
4	Washer		341 86 00	1
5	Screw		83 02 75	2
	Spring washer		82 48 89	2
6	Locking assembly	Torque: 35 Nm (26 ft-lb)	84 59 12	1
	Grease		90 20 54	50 g (1.8 oz)
7	Tension pin		80 58 95	2
8	Hub	Four runner blades	411 23 00	1
		Five runner blades	411 23 03	
9	Turbine housing	TH1 (70°)	573 51 00	1
		TH2 (63°)	573 51 01	
		TH3 (57°)	573 51 02	
		TH4 (50°)	573 51 03	
10	Mechanical seal		337 79 11	1
11	Washer		319 20 00	1
12	Compression spring		302 21 00	9
13	Screw with barrel		306 73 00	9
14	Screw		83 03 72	7
	Washer		82 42 33	7
	Locking liquid		90 32 55	*
15	Inspection screw	Torque: 80 Nm (59 ft-lb)	428 22 08	2
16	O-ring		82 73 90	2
17	O-ring		82 75 05	1
18	Oil		90 17 57	5.5 L (5.8 quarts)
19	Propeller hub	Four runner blades	513 14 00	1
		Five runner blades	518 15 00	
20	Supporting washer	For blade angle 8°	428 42 22	<ul style="list-style-type: none"> <li>• 4 for runner with four blades</li> <li>• 5 for runner with five blades</li> </ul>
		For blade angle 9°	428 42 21	
		For blade angle 10°	428 42 20	
		For blade angle 11°	428 42 19	
		For blade angle 12°	428 42 18	
		For blade angle 13°	428 42 17	
		For blade angle 14°	428 42 16	
		For blade angle 15°	428 42 15	
		For blade angle 16°	428 42 14	
		For blade angle 17°	428 42 13	
		For blade angle 18°	428 42 12	



Item	Denomination		Part No.	Qty.
		For blade angle 19°	428 42 11	
		For blade angle 20°	428 42 10	
		For blade angle 21°	428 42 09	
		For blade angle 22°	428 42 08	
		For blade angle 23°	428 42 07	
		For blade angle 24°	428 42 06	
		For blade angle 25°	428 42 05	
		For blade angle 26°	428 42 04	
		For blade angle 27°	428 42 03	
		For blade angle 28°	428 42 02	
		For blade angle 29°	428 42 01	
		For blade angle 30°	428 42 00	
21	Screw		83 03 74	8
	Washer		82 35 78	8
22	Parallel pin		80 30 63	<ul style="list-style-type: none"> <li>• 12 for runner with four blades</li> <li>• 15 for runner with five blades</li> </ul>
23	Turbine blade	Bronze	466 08 02	<ul style="list-style-type: none"> <li>• 4 for runner with four blades</li> <li>• 5 for runner with five blades</li> </ul>
		Stainless steel	466 08 03	
24	Gasket		505 13 00	<ul style="list-style-type: none"> <li>• 4 for runner with four blades</li> <li>• 5 for runner with five blades</li> </ul>
25	Screw	Torque: 61 Nm (45 ft-lb)	83 03 50	<ul style="list-style-type: none"> <li>• 12 for runner with four blades</li> <li>• 15 for runner with five blades</li> </ul>
	Plate		509 44 01	
26	Screw		82 38 33	<ul style="list-style-type: none"> <li>• 12 for runner with four blades</li> <li>• 15 for runner with five blades</li> </ul>
27	Wear ring	Bronze	466 06 00	1
		Stainless steel	466 06 01	
28	Screw		83 03 25	3
	Spring washer		82 48 63	3
29	Outlet cone		466 07 01	1
30	Casing		466 05 00	1
31	Drive screw		82 20 88	2
	Spring washer		82 48 89	2
32	Data plate		630 73 00	2





# Xylem |'zīləm|

- 1) The tissue in plants that brings water upward from the roots
- 2) A leading global water technology company

We're a global team unified in a common purpose: creating innovative solutions to meet our world's water needs. Developing new technologies that will improve the way water is used, conserved, and re-used in the future is central to our work. We move, treat, analyze, and return water to the environment, and we help people use water efficiently, in their homes, buildings, factories and farms. In more than 150 countries, we have strong, long-standing relationships with customers who know us for our powerful combination of leading product brands and applications expertise, backed by a legacy of innovation.

For more information on how Xylem can help you, go to [xyleminc.com](http://xyleminc.com)

Refer to [www.xylemwatersolutions.com/contacts/](http://www.xylemwatersolutions.com/contacts/) for contact details of your local sales and service representative.



Xylem Water Solutions Global  
Services AB  
361 80 Emmaboda  
Sweden  
Tel: +46-471-24 70 00  
Fax: +46-471-24 47 01  
<http://tpi.xyleminc.com>

Visit our Web site for the latest version of this document and more information

The original instruction is in English. All non-English instructions are translations of the original instruction.

© 2014 Xylem Inc